



Visit www.tycothermal.com for more information on our ten-year extended warranty.

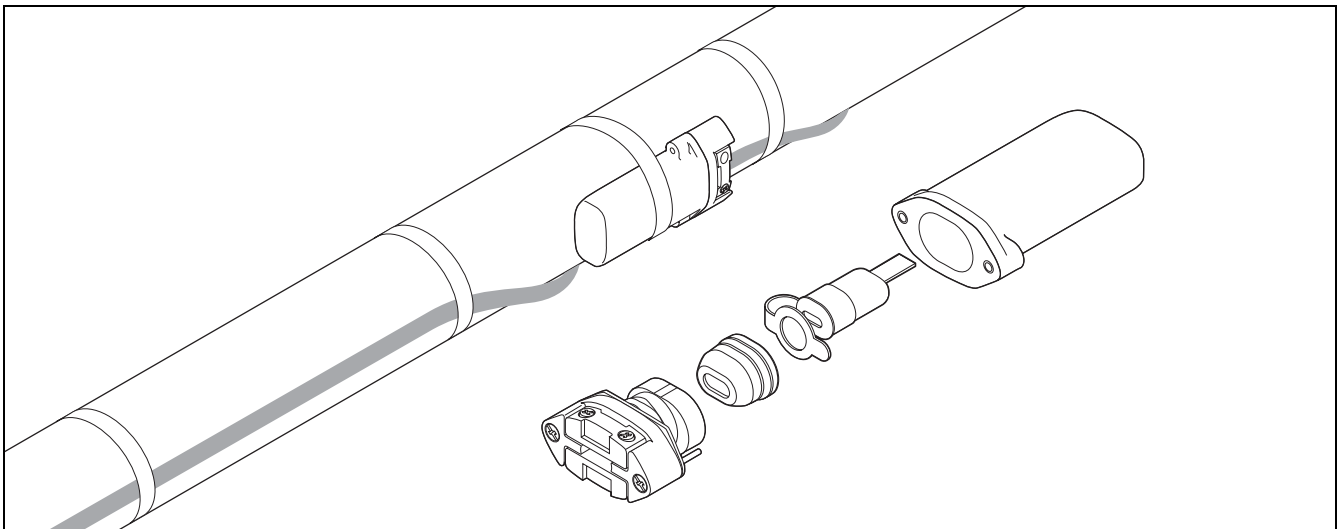
The E-150 is a cold-applied low-profile end seal. It is designed for use with the following Raychem® brand heating cables: BTV, QTVR, XTV, and KTV. Use the E-150 in applications with temperatures ranging from -60°F to 420°F (-50°C to 215°C). It is approved by FM, CSA, and PTB for use in hazardous locations.

Low-profile end seal kit

The unique design of the E-150 suits the demanding requirements of the industrial environment. The low-profile housing can be installed on pipes and other surfaces. A spring-loaded grommet makes a first seal to maintain a watertight connection, while the silicone-free, noncuring sealant used in the Raychem sealing boot adds a second seal, providing additional protection.

The rugged construction makes the E-150 resistant to impact and suitable for high-temperature and chemical exposure.

The end seal requires no heat source for installation and it is re-enterable, making maintenance fast and easy. Each kit contains all the necessary materials to do one end termination.

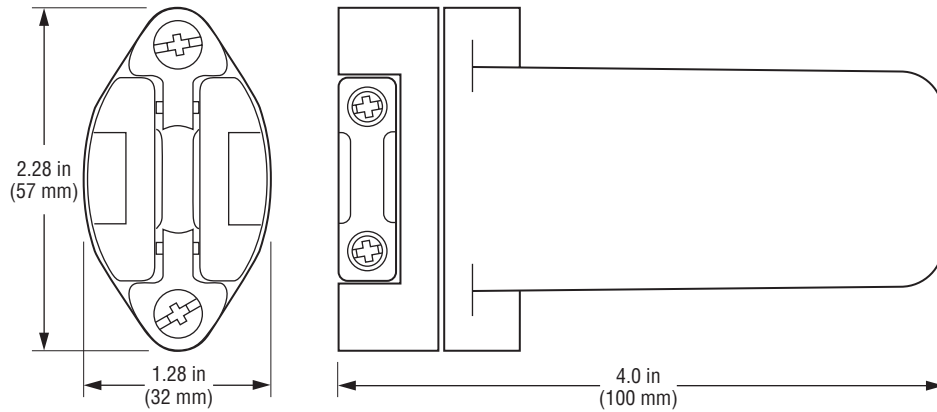


Description	Cold-applied end seal for use with BTV, QTVR, XTV, and KTV heating cables
Kit Contents	<ul style="list-style-type: none"> 1 end seal enclosure housing 1 sealing grommet assembly 1 sealing boot 1 identification label

Approvals	<p>Hazardous Locations</p> <div style="display: flex; justify-content: space-between;"> <div style="width: 45%;"> <p> Class I, Div. 2, Groups A, B, C, D Class II, Div. 2, Groups F, G Class III</p> <p></p> <p> CLI, ZN2, AEx e II T⁽¹⁾</p> <p> Ex e II T⁽¹⁾</p> </div> <div style="width: 45%;"> <p> II 2 G EEx e II PTB 98 ATEX 1121 U</p> </div> </div>
------------------	---

⁽¹⁾ For T-rating, see heating cable or design documentation

Dimensions



Product Specifications

Heating cable capability	BTV-CR, BTV-CT, QTVR-CT, XTV-CT, KTV-CT
Ingress protection	NEMA 4X (IP66)
Minimum installation temperature	-40°F (-40°C)
Minimum usage temperature	-60°F (-50°C)
Maximum pipe temperature	420°F (215°C)
Operating voltage	277 Vac for FM, CSA; 254 Vac for PTB

Materials of Construction

Enclosure, end plate, and shim	Engineered polymer, black
Sealing grommet and core sealer	Silicone rubber
Screws, compression spring, reinforcement plate	Stainless steel

Ordering Details

Catalog number	E-150
Part number	979099-000
Weight	0.6 lb (0.3 kg)