



Visit [www.tycothermal.com](http://www.tycothermal.com) for more information on our ten-year extended warranty.

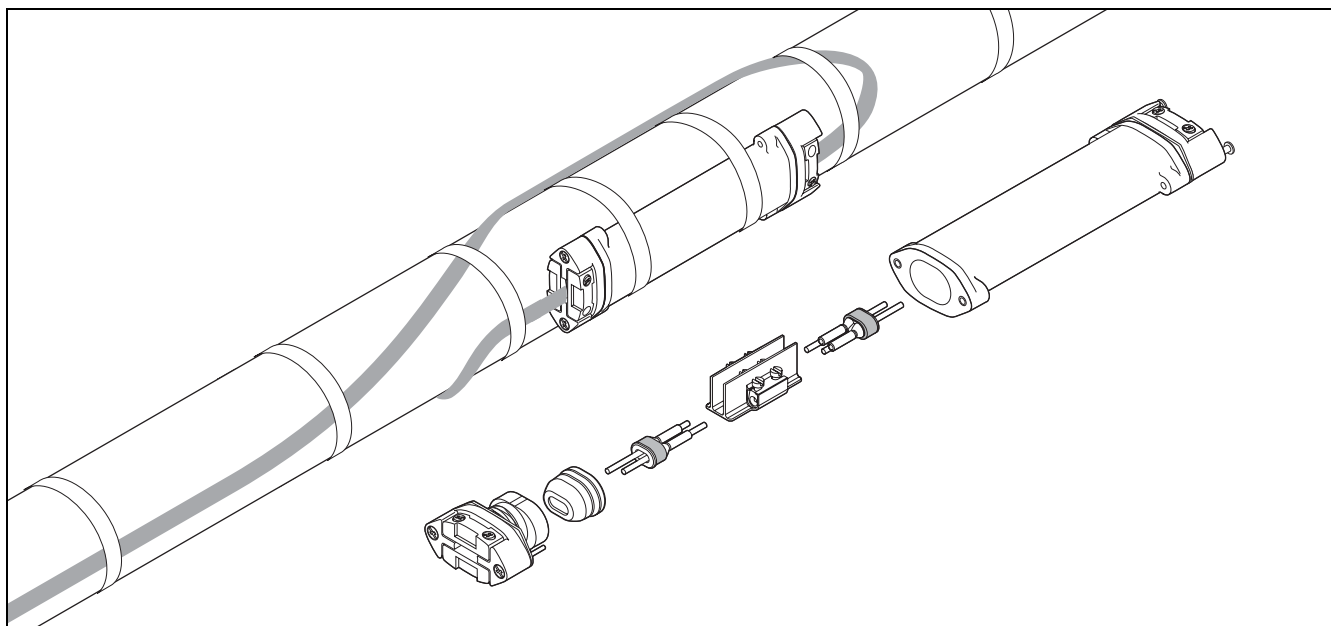
## Low-profile splice kit

The S-150 is a cold-applied, low-profile splice for in-line connection. It is designed for use with the following Raychem® brand heating cables: BTV, QTVR, XTV, and KTV. Use the S-150 in applications with temperatures ranging from -60°F to 420°F (-50°C to 215°C). It is approved by FM, CSA and PTB for use in hazardous locations.

The unique design of the S-150 suits the demanding requirements of the industrial environment. The low-profile housing can be installed on pipes and other surfaces. Spring-loaded grommets make a first seal to maintain a watertight connection, while the noncuring silicone-free sealant used in the Raychem cold-applied core sealers add a second seal, providing additional protection.

The rugged construction makes it resistant to impact and suitable for high-temperature and chemical exposure.

The splice requires no heat source for installation, and it is re-enterable, making maintenance fast and easy. Each kit contains all the necessary materials to do one in-line splice connection.



**Description** Cold-applied in-line splice kit for use with BTV, QTVR, XTV, and KTV heating cables

**Kit Contents**  
 1 splice housing  
 2 sealing grommets  
 2 core sealers  
 1 spacer including screw terminals  
 1 identification label

### Approvals

#### Hazardous Locations



Class I, Div. 2, Groups A, B, C, D  
 Class II, Div. 2, Groups F, G  
 Class III



II 2 G EEx e II  
 PTB 98 ATEX 1121 U



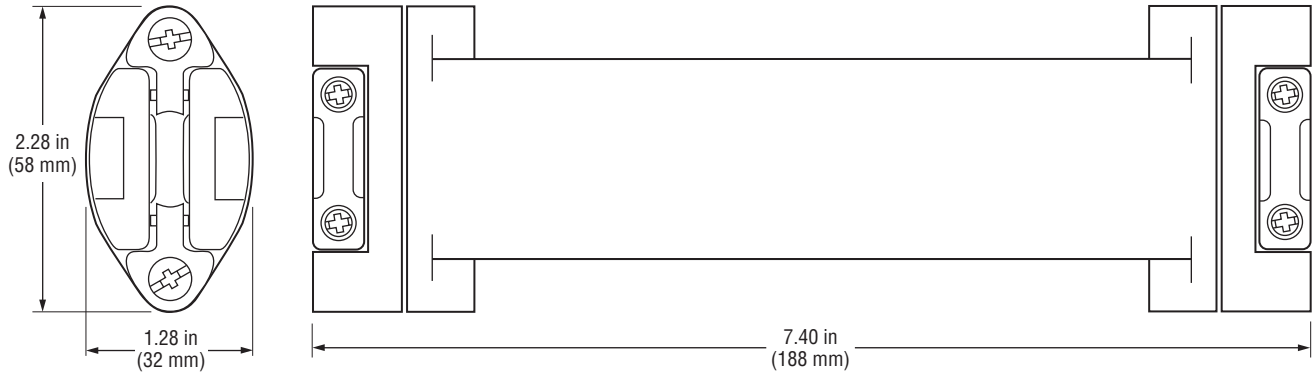
CL I, ZN2, AEx e II T<sup>(1)</sup>



Ex e II T<sup>(1)</sup>

<sup>(1)</sup> For T-rating, see heating cable or design documentation

## Dimensions



## Product Specifications

Heating cable capability	BTV-CR, BTV-CT, QTVR-CT, XTV-CT, KTV-CT
Ingress protection	NEMA 4X (IP66)
Minimum installation temperature	-40°F (-40°C)
Minimum usage temperature	-60°F (-50°C)
Maximum pipe temperature	420°F (215°C)
Connection method	Screw terminals
Maximum operating voltage	277 Vac for FM, CSA 254 Vac for PTB
Maximum circuit breaker rating	50 A for FM, CSA 40 A for PTB

## Materials of Construction

Enclosure, end plate, and shim	Engineered polymer, black
Sealing grommet	Silicone rubber
Screws, compression spring, reinforcement plate	Stainless steel
Terminals	Nickel-plated brass, stainless steel, zinc-plated steel

## Ordering Details

Catalog number	S-150
Part number	497537-000
Weight	0.8 lb (0.4 kg)