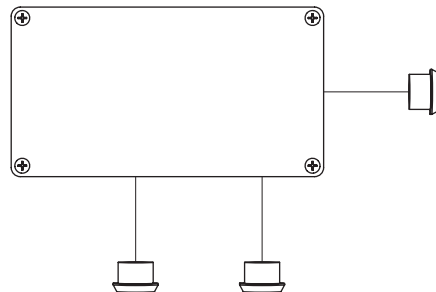
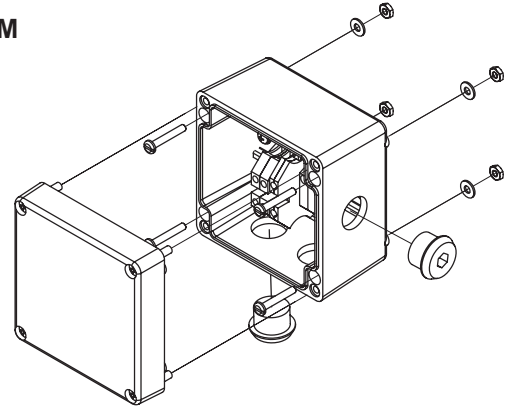
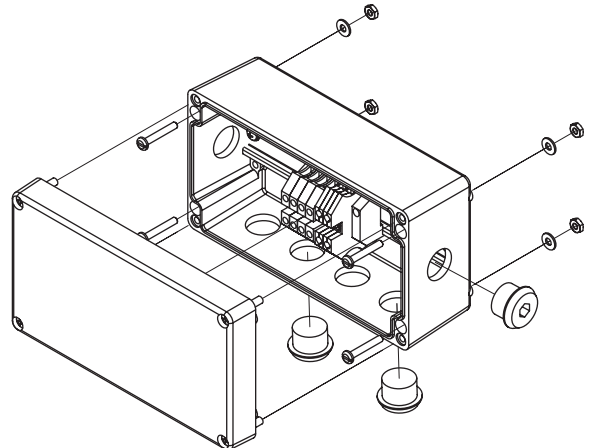


2JM



3JM



Specifications

| | |
|--------------------------|--|
| 2JM | 122 x 120 x 90MM Junction Box with 3 M25 openings (1 Plugged) DIN Rail with 3 Lugs. |
| 3JM | 220 x 120 x 90MM Junction Box with 6 M25 Openings (3 Plugged) DIN Rail with 2 ea. Ground & L1 L2 Terminals with Jumpers. |
| TB2 | Additional Set of DIN Rail Terminal Blocks and Jumpers. Includes One Each L1 and L2 Terminals and Two Dual-Span Jumpers. |
| TB4 | Additional Set of DIN Rail Terminal Blocks and Jumpers. Includes Two Each L1 and L2 Terminals and Two Quad-Span Jumpers. |
| Protection Rating | EExe II T6 IP67 |