

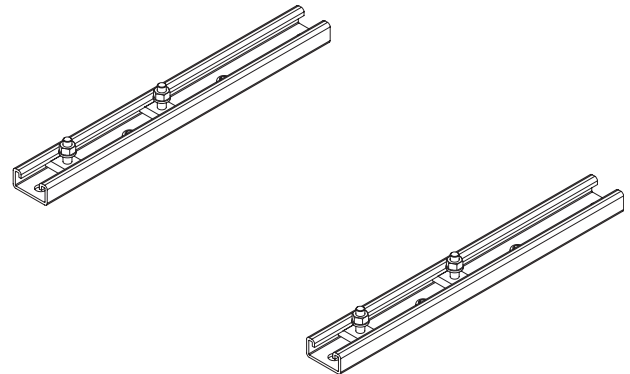


VIPAK® DOUBLE TRAKMOUNT® 700 SERIES ENCLOSURE

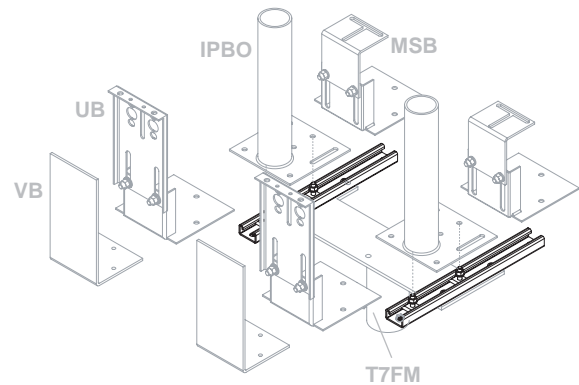
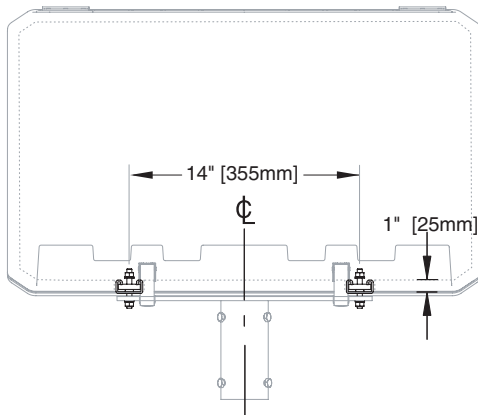
The O'Brien Double TRAKMOUNT system combines with the T7FM enclosure mount allowing the user to select any two instrument mounting brackets including the universal instrument mounting bracket (UB), adjustable manifold support bracket (MSB), vertical flat plate bracket (VB) or two inch offset pipe support bracket (IPBO). The Double TRAKMOUNT allows two

transmitters and manifolds to be moved and positioned virtually anywhere in the enclosure without the need to drill specific location holes.

VIPAK 705 and 706 series enclosures are compatible with the Double TRAKMOUNT system.

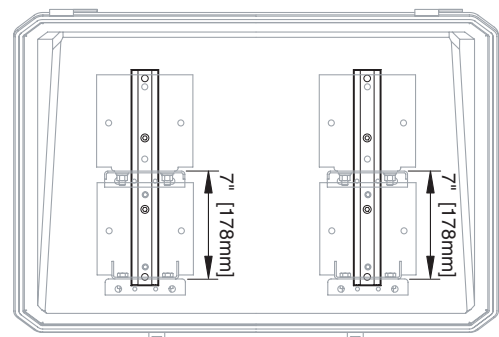
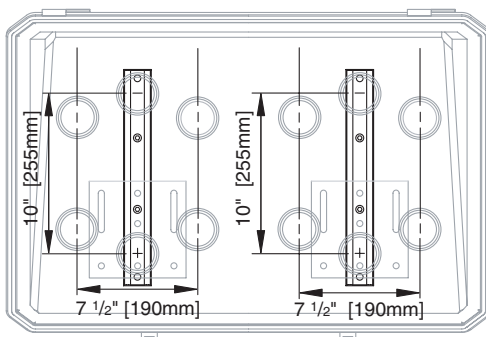


FRONT



Double TRAKMOUNT allows the two inch offset instrument mounting pipe to be positioned anywhere in the bottom of the enclosure.

Double TRAKMOUNT allows the UB, MSB and VB instrument support brackets to be adjusted front to back inside the enclosure.



Specifications subject to change without notice.

©2005 O'Brien Corporation • QLT-GRPTRAKTWO • 1 MAY 05



ISO 9001:2000
REGISTERED

Worldwide Offices:

USA: 1900 Crystal Industrial Court • St. Louis, Missouri 63114 • Ph: 314/236-2020 • Fax: 314/236-2080

BELGIUM: Mallekotstraat 65 • B 2500 Lier, Belgium • Ph (+32) 3 491 9875 • Fax (+32) 3 491 9876

CANADA: Suite 400 • 609 14th Street NW • Calgary, AB T2N 2A1 • Ph 403/730-7277 • Fax 403/730-7279

obcorp@obcorp.com • www.obcorp.com