



Cost Comparison TRACEPAK® vs. Field Fabrication

Field Fabricated Electric Traced System

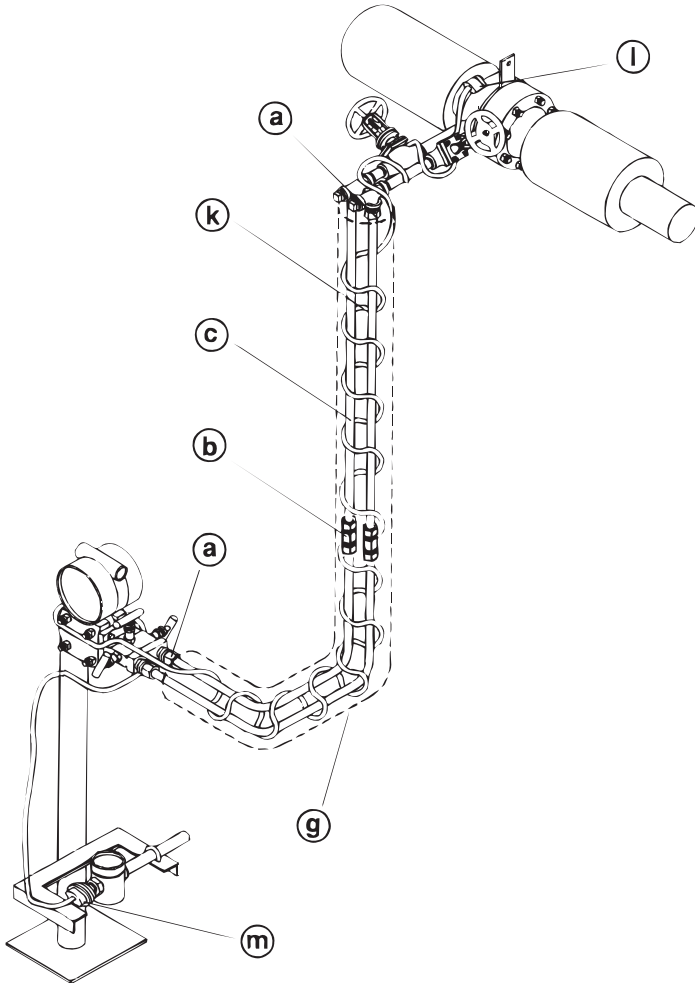
MATERIAL COST

1/2" MNPT x 1/2" tube SS compression fittings, 4 @ 13.43 ea. (a)	\$53.72
1/2" SS tube unions, 2 @ 22.70 ea. (b)	45.40
1/2" O.D. SS x .049 seamless impulse line tubing, 60ft @ 7.74/ft (c)	464.40
High temperature heater cable, 40' @ 16.60/ft (k)	664.00
E100 end seal, 1 @ 45.85 (l)	45.85
C75-100-A power connection kit, 1 @ 63.00 (m) ..	63.00
Foamglass with jacket for 2" pipe- 1" insulation, 28 feet @ 3.62/ft (g)	101.36
Foamglass elbows with jacket for 2" pipe- 1" insulation, 2 @ 17.78 ea. (g)	35.56
TOTAL MATERIAL COST	\$1473.36

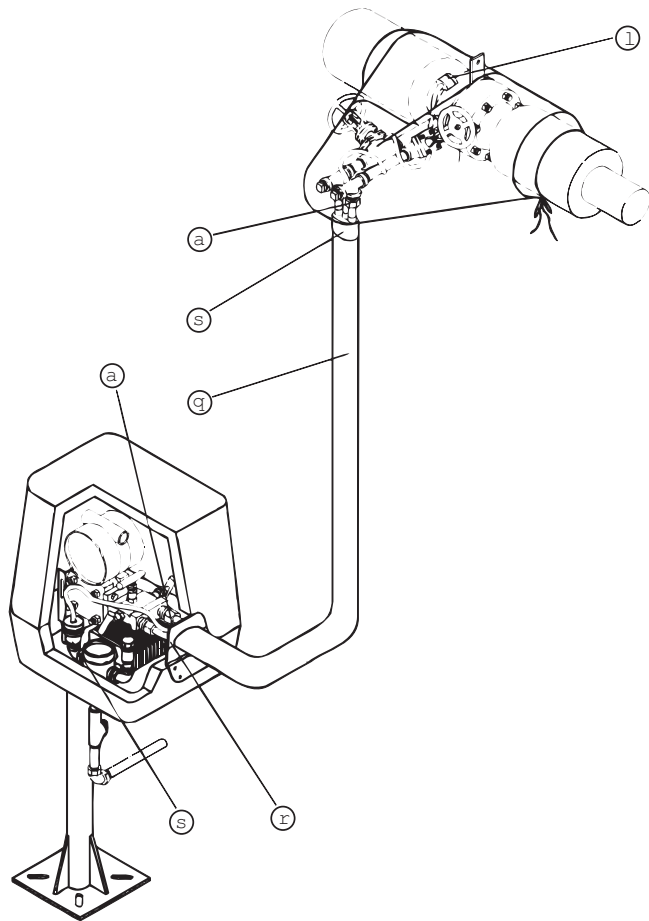
LABOR COST

(Labor cost \$85.00/hr)	
Install impulse lines with fittings 60' @ 0.40 mh/ft	24.00 hr
Install electric tracer 40' @ 0.18 mh/ft	7.20 hr
Insulate 30 feet of impulse lines with tracer	8.68 hr
28' @ 0.28 mh/ft = 7.84 hr	
2 elbows @ 0.42 mh/ea = 0.84 hr	
Total labor hours	39.88 hr
TOTAL LABOR COST	\$3389.80

Total Field Fabrication **\$4863.16**



Cost Comparison TRACEPAK® vs. Field Fabrication



O'Brien TPE Electric Traced System

MATERIAL COST

1/2" MNPT x 1/2" tube SS compression fittings, 4 @ 13.43 ea. (a)	\$53.72
T210-ET (end termination), 1 @ 94.10 (l)	94.10
T210-PC (power connection), 1 @ 277.10 (m)	277.10
TPE2-B4-B5, 35 feet* @ 54.70/ft (q)	1,914.50
*35 feet used to allow tracer for end fitting	
TPKSK-10 (end seal), 1 @ 14.80 (r)	14.80
TPKHS-B3 (heat shrink boot), 1 @ 48.10 (s)	48.10
TOTAL MATERIAL COST	\$2,402.32

LABOR COST

(Labor cost \$85.00/hr)

Install TPE2-B4-B5 35 feet @ 0.40 mh/ft	12.00 hr
Total labor hours	12.00 hr
TOTAL LABOR COST	\$1,020.00

Total O'Brien TRACEPAK **\$3,422.32**

O'BRIEN TRACEPAK SAVINGS. . . . \$1440.84