



Visit www.tycothermal.com for more information on our ten-year extended warranty.

Splice or tee connection kit

The T-100 serves as an above-insulation splice or tee for up to three Raychem® brand BTV, QTVR, XTV, KTV, or VPL heating cables. It is approved by FM, CSA, and PTB⁽¹⁾ for use in hazardous locations.

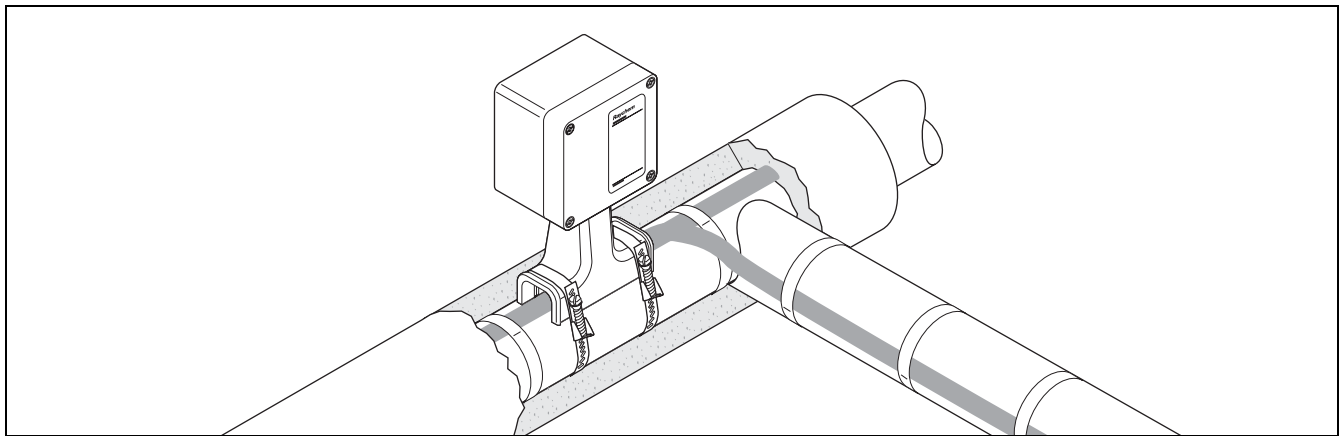
The T-100 integrates the functions of connection kits and insulation entries. The rugged stand protects the heating cable and

allows for up to four inches (100 mm) of thermal insulation.

The cold-applied core sealer does not require a heat gun or torch for installation, so no hot work permit is necessary. The silicone-free, noncuring sealant in the core sealer allows easy installation and re-entry for maintenance.

The electrical connections in the T-100 are made with insulated crimps. For a splice or tee connection with terminal blocks, use the JBM-100.

Each kit contains all the necessary materials for a complete installation except for the pipe straps, which must be ordered separately.



Description

Above-insulation splice/tee kit appropriate for use in hazardous locations

Kit Contents

- 1 splice/tee enclosure and lid
- 1 stand assembly
- 3 core sealers
- 3 green/yellow tubes
- 3 compression crimps
- 3 crimp insulating boots
- 2 grommet plugs
- 1 spanner wrench
- 1 strain relief assembly

Note: Order appropriate pipe straps separately (two straps per kit).

Approvals

Hazardous Locations



Class I, Div. 2, Groups A, B, C, D
Class II, Div. 1 and 2, Groups E, F, G
Class III



CLI, ZN1, AEx e II T⁽²⁾

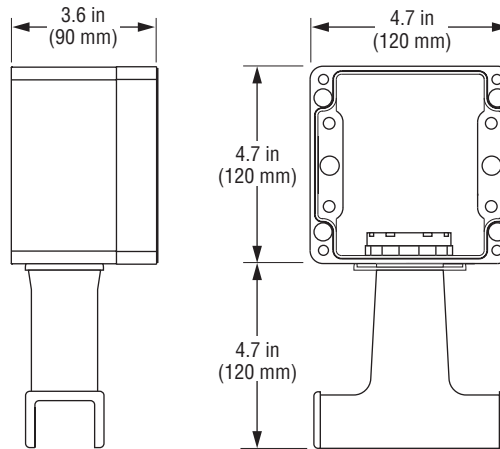


Ex e II T⁽²⁾



II 2 GD EEx e II
PTB 98 ATEX 1020 U

- ⁽¹⁾ Except VPL
- ⁽²⁾ For T-rating, see heating cable or design documentation

Dimensions (nominal)**Product Specifications**

Heating cable capability	BTV-CR, BTV-CT, QTVR-CT, XTV-CT, KTV-CT, and VPL-CT
Ingress protection	NEMA 4X/IP66/IP67
Minimum installation temperature	-40°F (-40°C)
Minimum usage temperature	-60°F (-50°C)
Maximum pipe temperature	500°F (260°C)
Maximum operating voltage	480 Vac
Maximum circuit breaker rating	50 A for FM, CSA; 40 A for PTB

Materials

Enclosure	Electrostatic charge-resistant glass-filled engineered polymer, black
Lid screws	Stainless steel
Lid gasket	Silicone rubber

Ordering Details

Catalog number	T-100
Part number	447379-000
Weight	2.5 lb (1.2 kg)
Crimp tool	T-100-CT (not included in kit; equivalent to Panduit CT-1570) PN 954799-000
Spare crimps and insulating tubes	T-100-CRIMP-KIT PN 577853-000