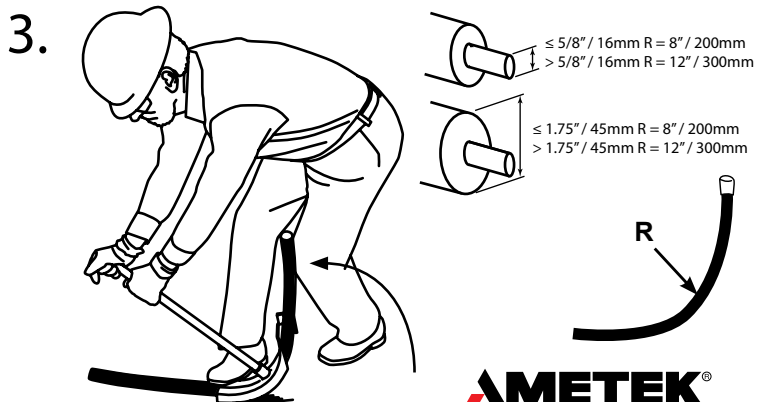
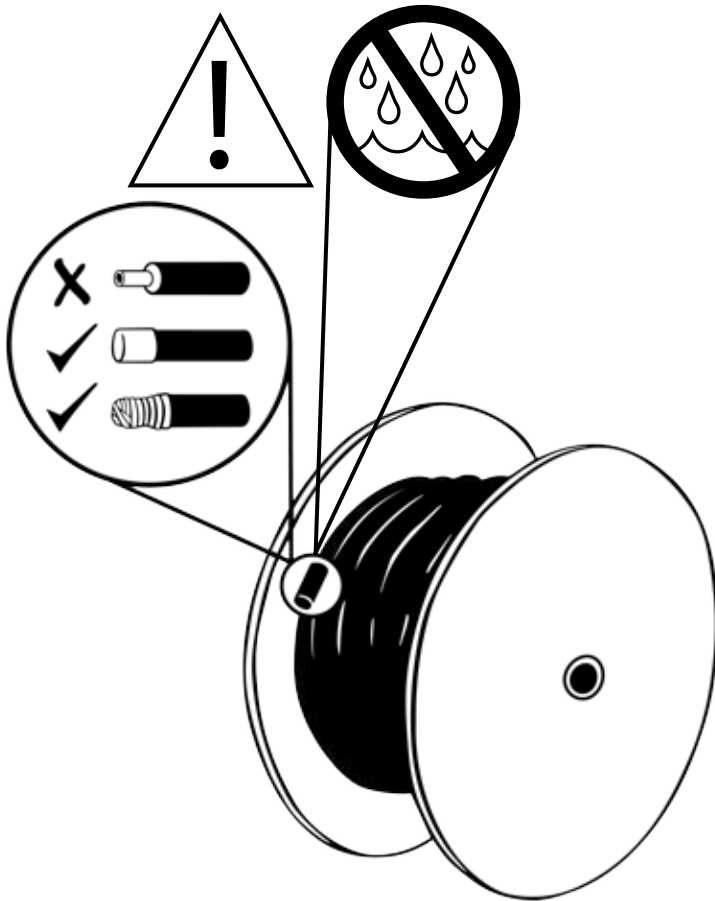
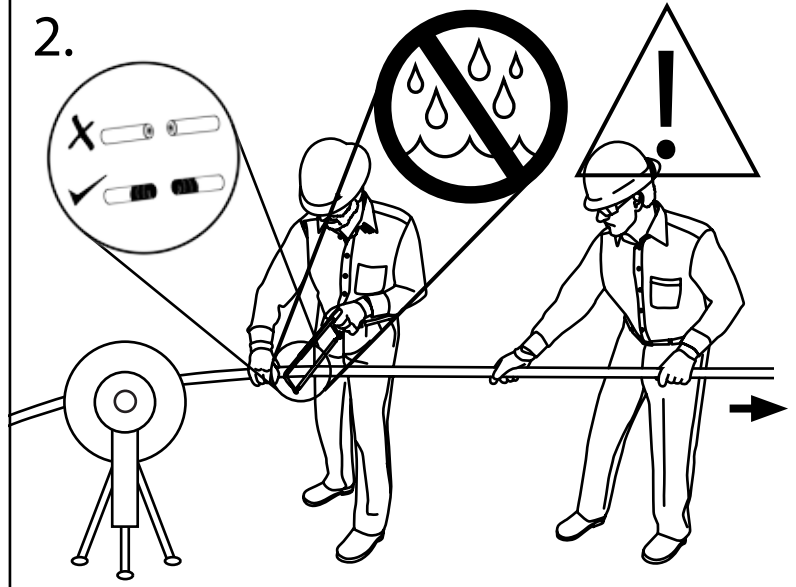
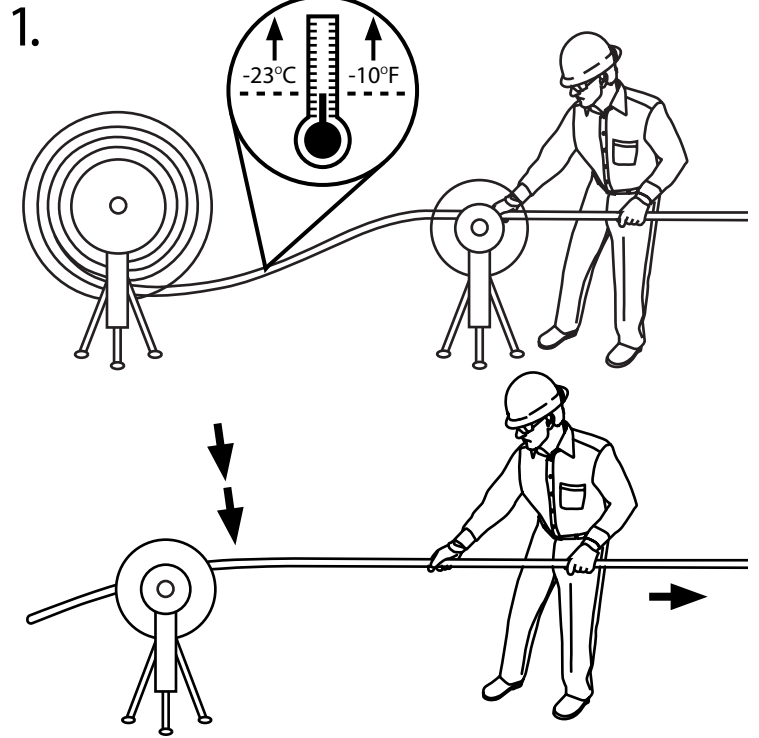
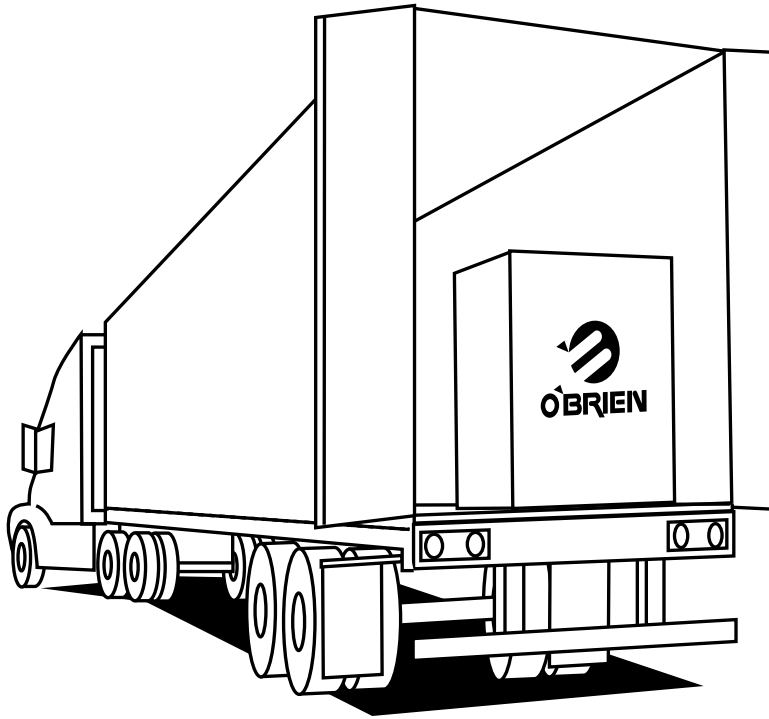
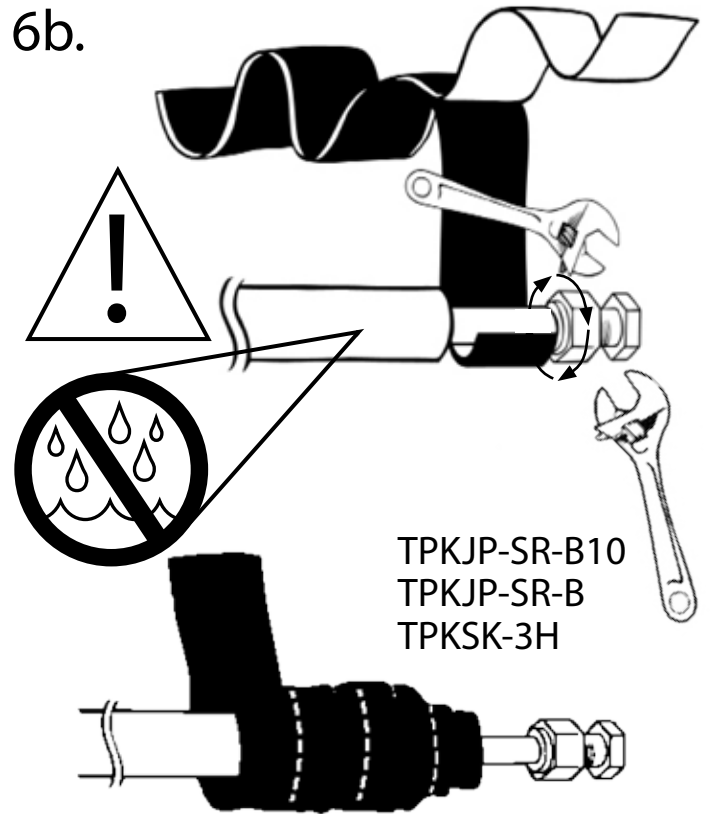
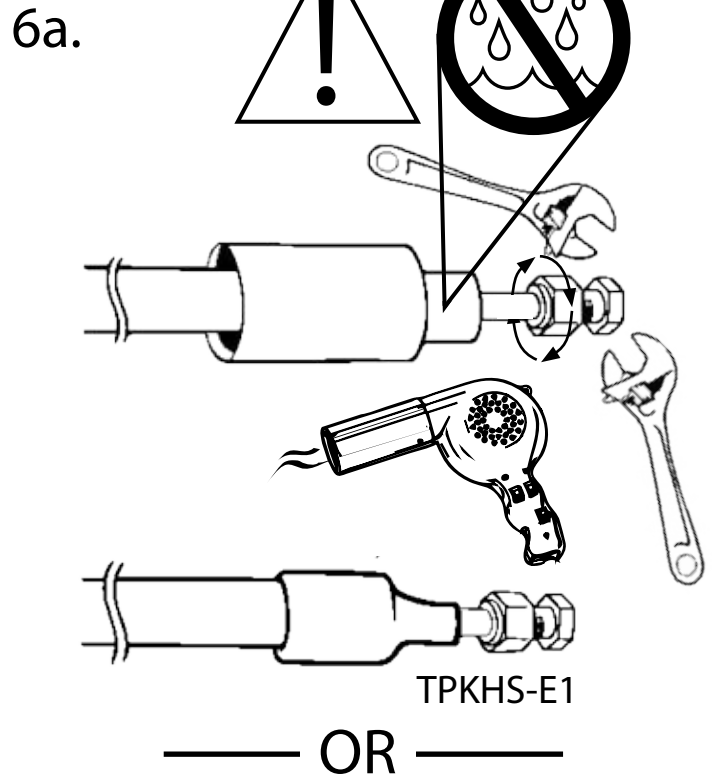
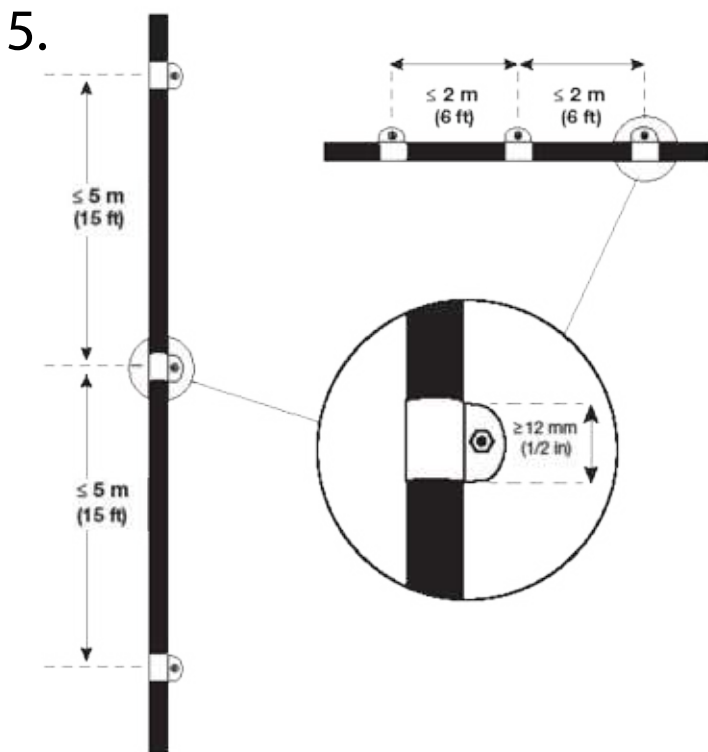
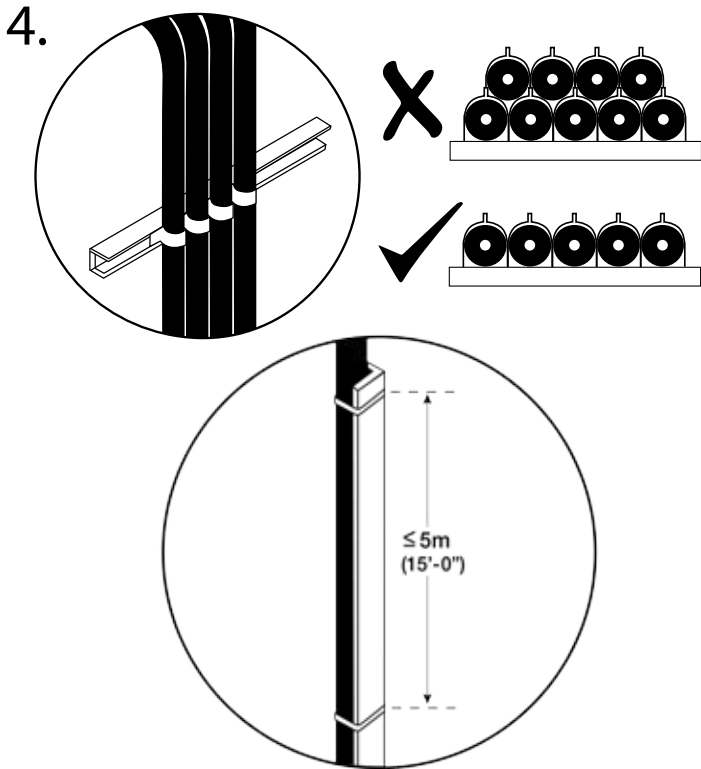


# S-LINE & TPS INSTALLATION



# S-LINE & TPS INSTALLATION



©2016, by AMETEK, Inc. All rights reserved · QLT-SLINETPS-INST · JULY 2016