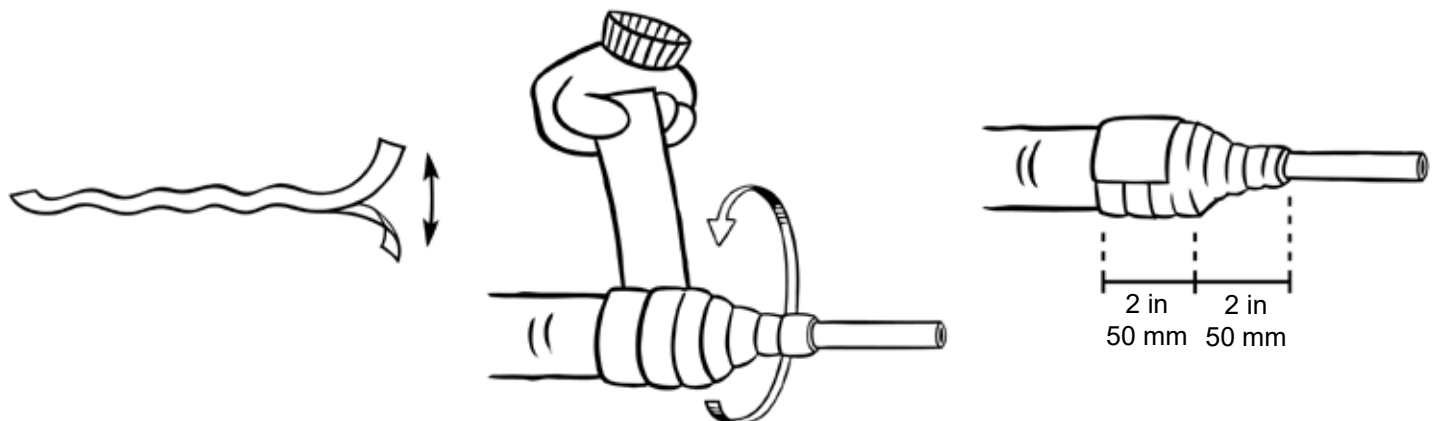
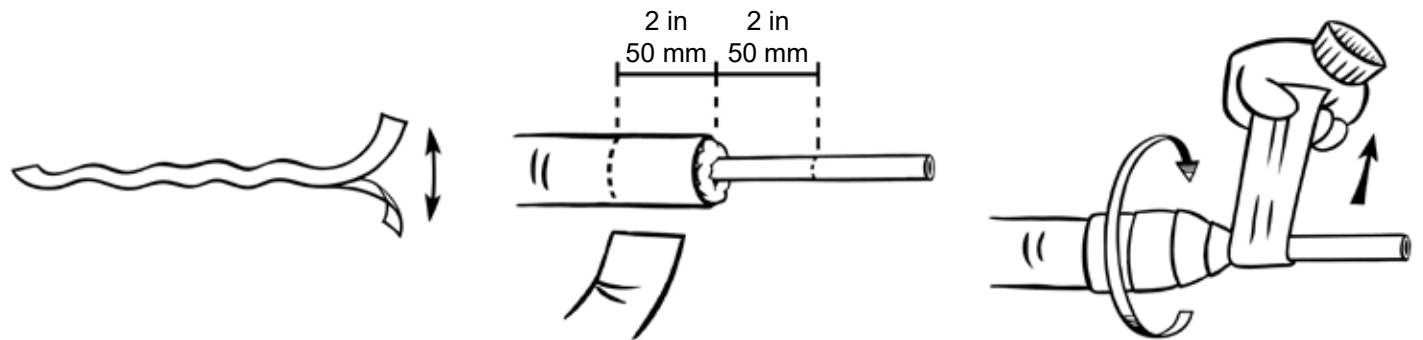
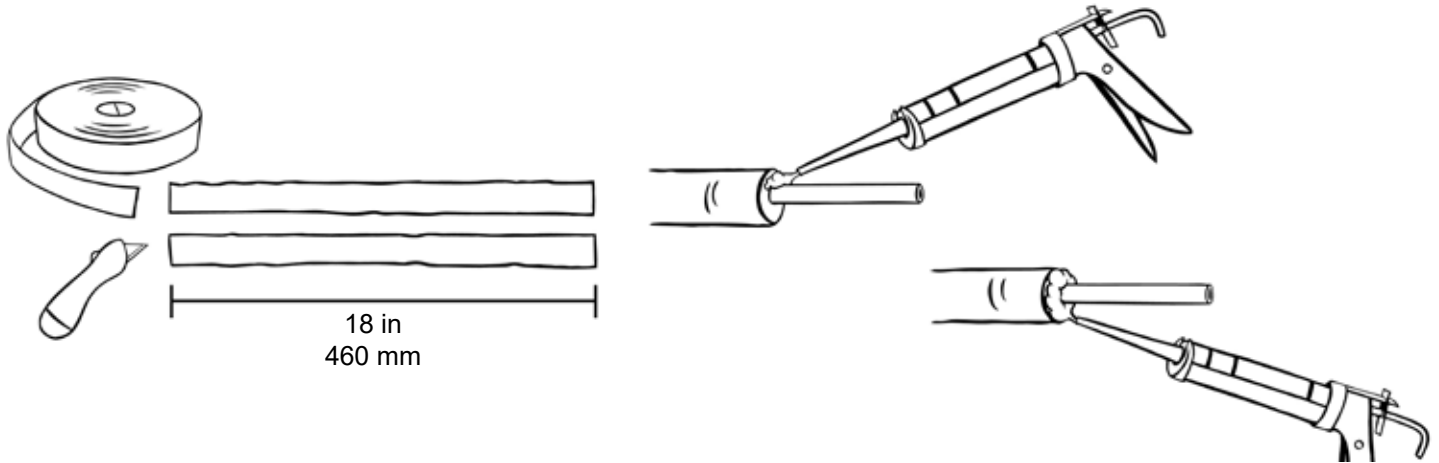
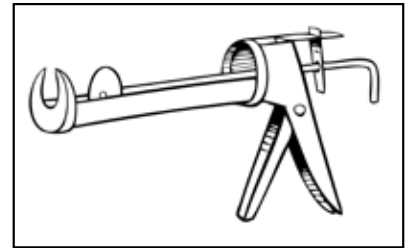
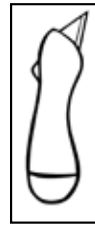
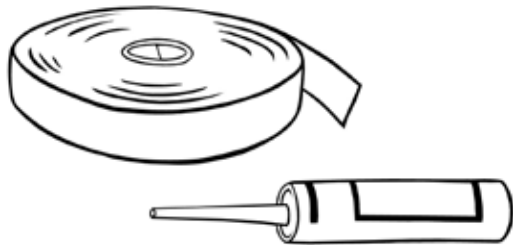


# TRACEPAK® TPKSK Cold-Applied End Seal Kit



© 2016, by AMETEK, Inc. All rights reserved • QLT-TPKSK-SRT-10-INST • 20 MAY 2016



BELGIUM • BRAZIL • CHINA • RUSSIA • SINGAPORE • SOUTH KOREA • USA  
sales.obrien@ametek.com • www.obcorp.com

