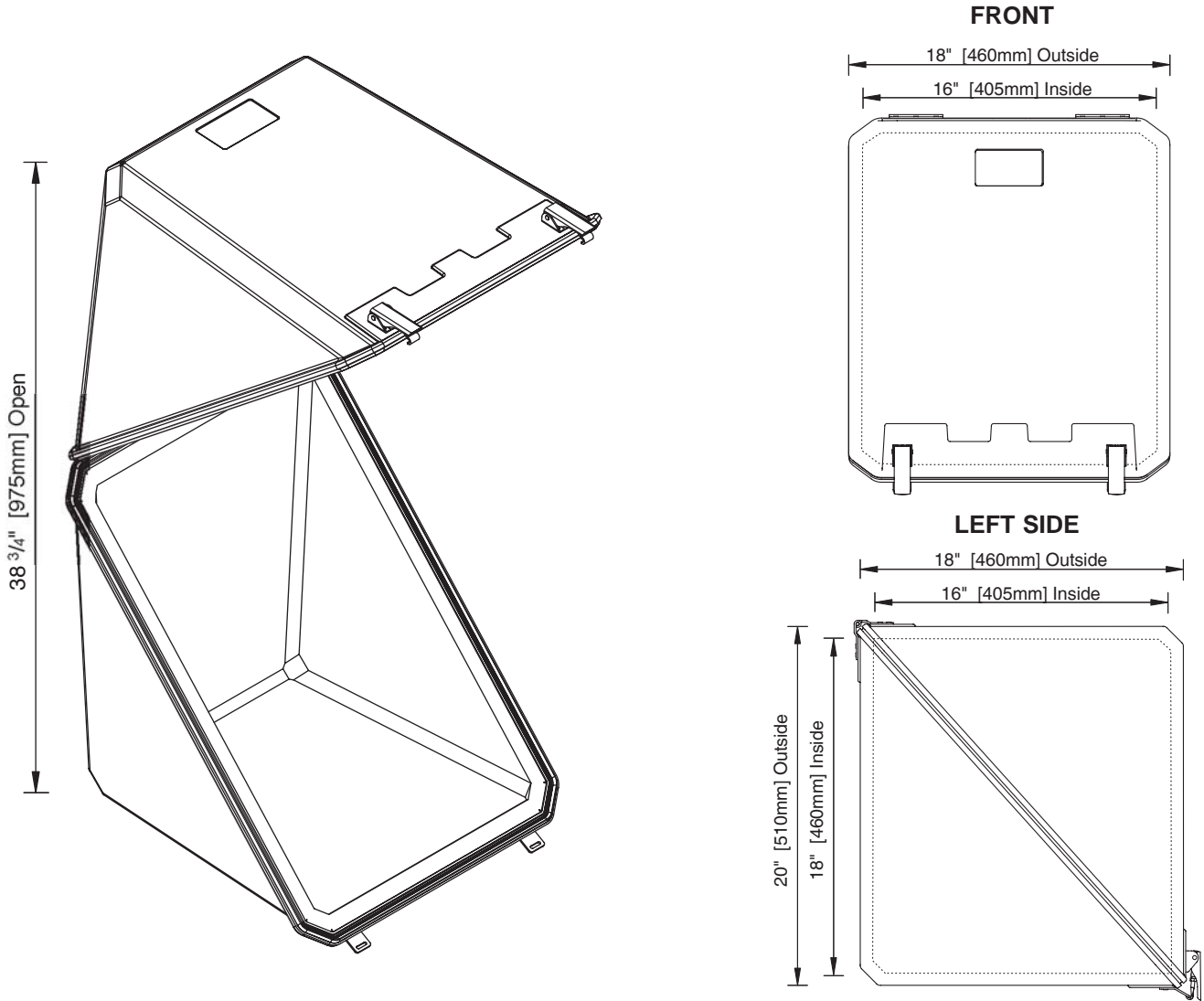




VIPAK® A702 GRP ENCLOSURE

O'Brien VIPAK 700 series are molded glass fiber reinforced polyester enclosures with foamed in place medium density polyurethane insulation. 700 series enclosures combine the durability of glass reinforced polyester with the insulating properties of polyurethane foam to winterize industrial instrumentation in cold climates.



Specifications

Materials

Enclosure: Glass Fiber Reinforced Polyester
Gasket: Neoprene
Adjustable Latches: Stainless Steel
Lift-Off Hinges: Stainless Steel

Net Weight

17.7 Kg (23.6 lb)

Shipping Weight

20.5 Kg (45.1 lb)

Protection Rating

IP66 per EN 50014
NEMA 4X*

Thermal Stability

Ambient Service/Storage Temperature
Minimum: -60°C (-75°F)
Maximum: 120°C (250°F)

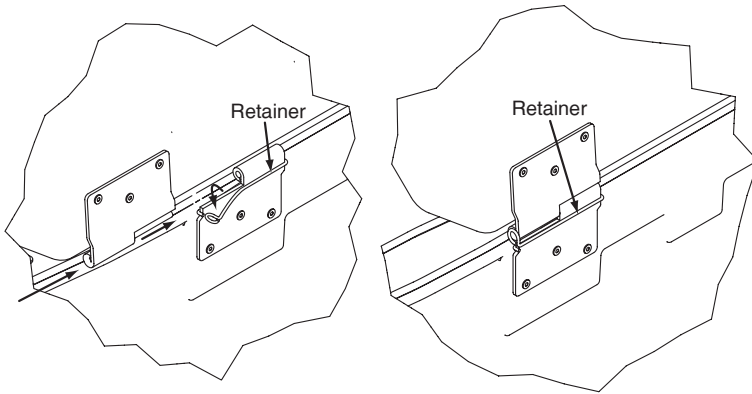
Flammability

BS476 Part 7 Class 2
UL94 V0

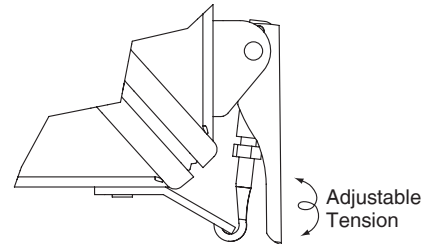
* Vipak 700 series enclosures meet the protection and corrosion resistance requirements of NEMA 4X with the exception that they do not require a tool to open the enclosure. NEMA stipulates that a tool be required to open electrical enclosures which is a safeguard against casual access to electrically energized surfaces that may be inside the enclosure.

The stainless steel hinge allows the lid to be easily removed. The retainer prevents the hinge from accidentally disengaging.

The stainless steel latches are factory set to provide IP65 protection.



HINGE DETAILS



LATCH DETAIL

Enclosure Options

- A702A** Antistatic: Surface Resistance <math><10^9</math> Ohm per EN50014
T (suffix) TRAKMOUNT – zinc plated carbon steel.
S (suffix) TRAKMOUNT – stainless steel

Mounting Kits

- MK1** 2" NB enclosure mount with universal transmitter mounting bracket
MK2 2" NB enclosure mount with manifold mounting bracket
MK3 2" NB enclosure mount with offset 2" NB x 305mm (12") tall instrument mounting pipe
MK7 2" NP enclosure mount with 355mm tall x 150mm (14" x 6") wide vertical instrument manifold mounting plate. Mounting plate is supplied blank. As an option, manifold mounting and clearance holes can be provided from the factory.
MK11 2" NP enclosure mount with opposing internal plate and stainless steel back mounting manifold entry plate. Manifold entry plate is supplied blank. As an option, manifold mounting and clearance holes can be provided from the factory.
MK12 2" NP enclosure mount with stainless steel bottom manifold entry plate. Manifold entry plate is supplied blank. As an option, manifold mounting and clearance holes can be provided from the factory.

Mounting kits can also be supplied in stainless steel. Add suffix "S" to mounting kit designation.

Process, Instrument and Electric Entry Fittings

- ES4** 19-40mm ($\frac{3}{4}$ "-1 $\frac{1}{2}$ ") heat shrink bundle entry fitting
ES4S 19-54mm ($\frac{3}{4}$ "-2 $\frac{1}{8}$ ") heat shrink bundle entry fitting
ES5 35- 70mm (1 $\frac{3}{8}$ "-2 $\frac{3}{4}$ ") heat shrink bundle entry fitting

- 1G** Adjustable grip, 3-9mm ($\frac{1}{8}$ "- $\frac{3}{8}$ ") diameter. IP68
2GM Adjustable grip, 9-18mm ($\frac{3}{8}$ "- $\frac{3}{4}$ ") diameter. IP68

Windows

- 2W** 255mm x 280mm (10"-11") tempered glass
3W 175mm (7") diameter tempered glass

Other Options

- LS** Stainless steel self locking lid support
LL Locking latch
PT 50mm x 150mm (2"-6") white phenolic tag with 12mm ($\frac{1}{2}$ ") black lettering
SST 50mm x 95mm (2"-3 $\frac{3}{4}$ ") stainless steel tag with 3mm ($\frac{1}{8}$ ") embossed lettering
BDM Combination vent and drain. IP66
H Stainless steel lift handle

Specifications subject to change without notice.



ISO 9001:2000
REGISTERED

Worldwide Offices:

USA: 1900 Crystal Industrial Court • St. Louis, Missouri 63114 • Ph: 314/236-2020 • Fax: 314/236-2080
BELGIUM: Mallekotstraat 65 • B 2500 Lier, Belgium • Ph (+32) 3 491 9875 • Fax (+32) 3 491 9876
CANADA: Suite 400 • 609 14th Street NW • Calgary, AB T2N 2A1 • Ph 403/730-7277 • Fax 403/730-7279
obcorp@obcorp.com • www.obcorp.com