



MK1 MOUNTING KIT 500 & 700 SERIES ENCLOSURES

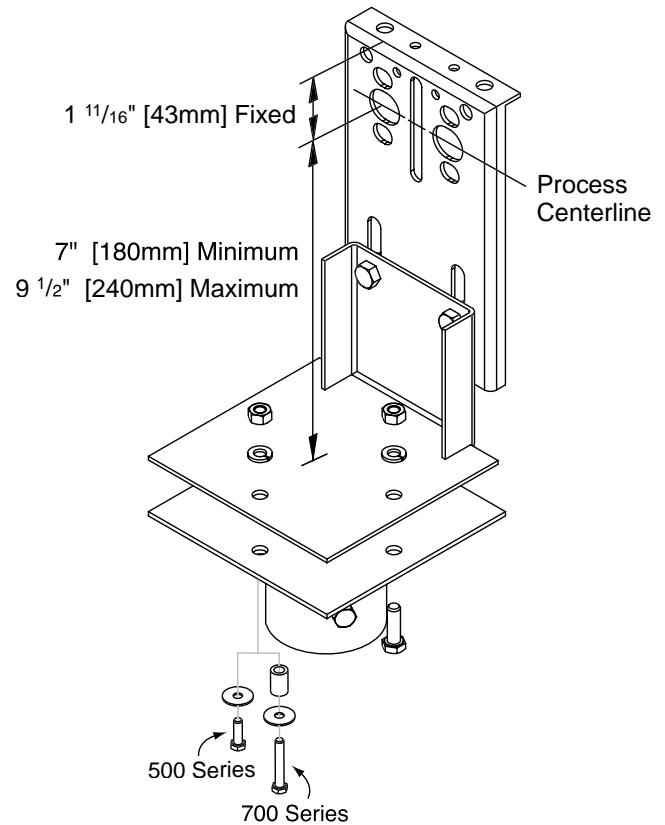
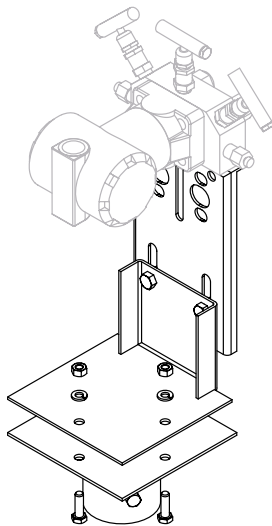
The MK1 mounting kit combines an adjustable universal transmitter mounting bracket with a standard 2" NB pipe enclosure mounting socket. Mounting kits are used with Vipak 500 and 700 series enclosures.

The transmitter bolts directly to the O'Brien universal mounting bracket eliminating the expense of optional mounting brackets supplied by the transmitter manufacturer. The top flange of the universal mounting

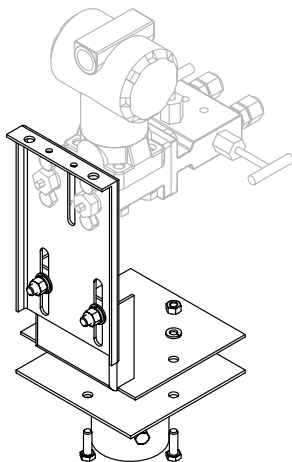
bracket also accommodates direct mounting of many manifolds. Once mounted to the bracket the vertical position of the transmitter and manifold can be adjusted by varying the height of the universal bracket.

The MK1 may be used with the Trackmount system for even greater adjustment of transmitter and manifold position.

MANIFOLD MOUNTING



TRANSMITTER BACK MOUNTING



©2004 O'Brien Corporation • QLT-GRP/MK1 • 1 MAR 04

Specifications subject to change without notice.



ISO 9001:2000
REGISTERED

Worldwide Offices:

USA: 1900 Crystal Industrial Court • St. Louis, Missouri 63114 • Ph: 314/236-2020 • Fax: 314/236-2080

BELGIUM: Mallekotstraat 65 • B 2500 Lier, Belgium • Ph (+32) 3 491 9875 • Fax (+32) 3 491 9876

CANADA: Suite 400 • 609 14th Street NW • Calgary, AB T2N 2A1 • Ph 403/730-7277 • Fax 403/730-7279

obcorp@obcorp.com • www.obcorp.com