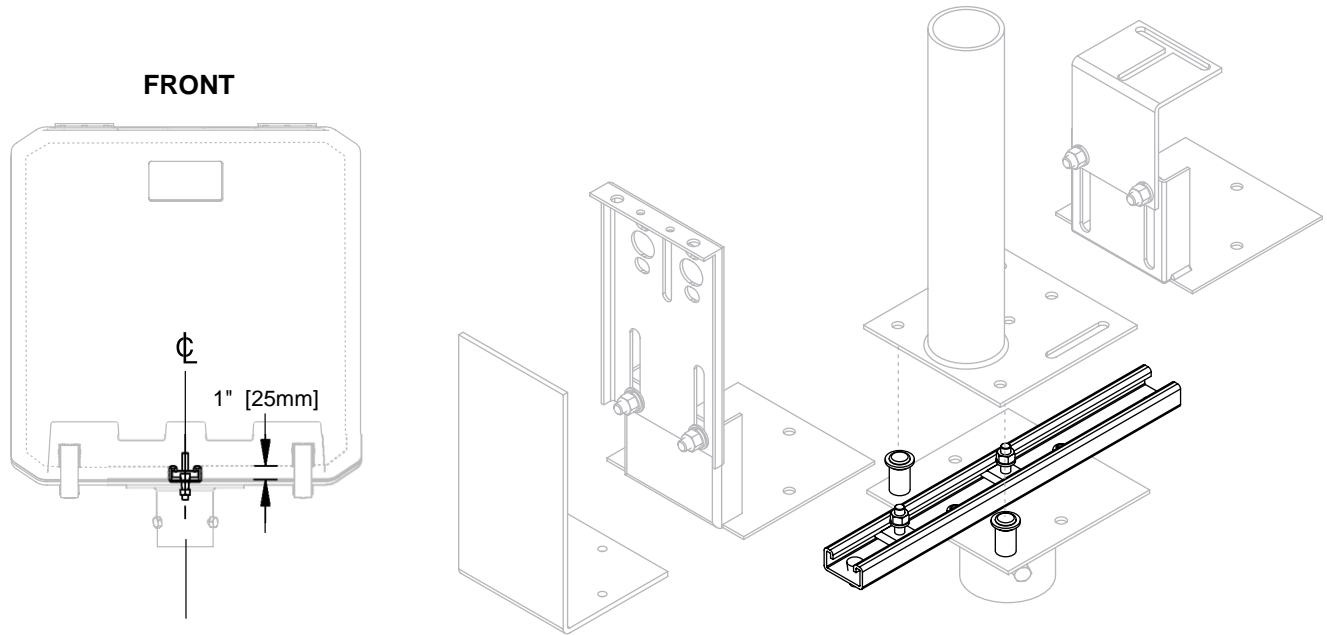




VIPAK® TRAKMOUNT® 500 & 700 SERIES ENCLOSURE

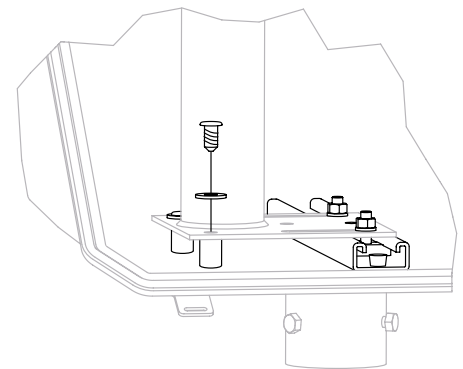
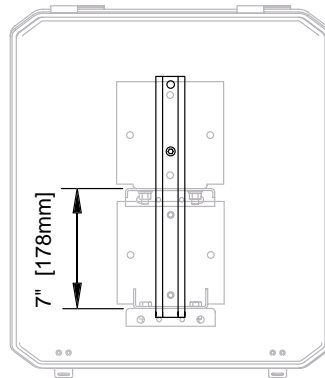
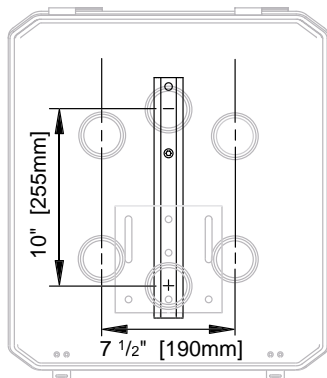
The O'Brien TRAKMOUNT system works with any mounting kit to make instrument installation simple in any VIPAK 500 or 700 series enclosure. TRAKMOUNT allows the transmitter and manifold to be moved and positioned virtually anywhere in the enclosure without the need to drill specific location holes.



TRAKMOUNT allows the MK3/MK3U instrument mounting pipe to be positioned anywhere in the bottom of the enclosure.

TRAKMOUNT allows the MK1/MK1U, MK2/MK2U or MK7/MK7U instrument mounting bracket to be adjusted front to back inside the enclosure.

SUPPORT FOOT FOR 500 SERIES ENCLOSURES



©2004 O'Brien Corporation • QLT-GRPTRAK • 1 MAR 04

Specifications subject to change without notice.



ISO 9001:2000
REGISTERED

Worldwide Offices:

USA: 1900 Crystal Industrial Court • St. Louis, Missouri 63114 • Ph: 314/236-2020 • Fax: 314/236-2080

BELGIUM: Mallekotstraat 65 • B 2500 Lier, Belgium • Ph (+32) 3 491 9875 • Fax (+32) 3 491 9876

CANADA: Suite 400 • 609 14th Street NW • Calgary, AB T2N 2A1 • Ph 403/730-7277 • Fax 403/730-7279

obcorp@obcorp.com • www.obcorp.com