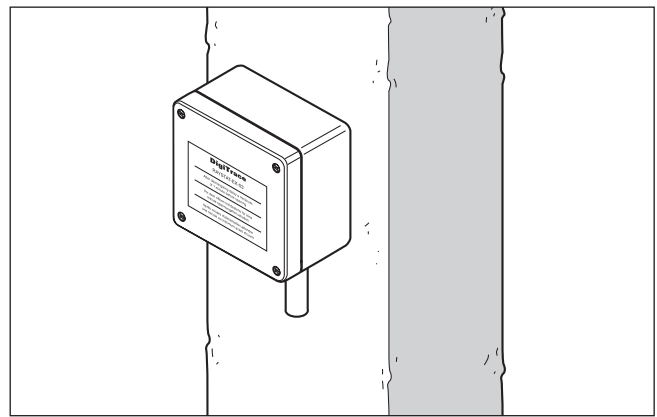
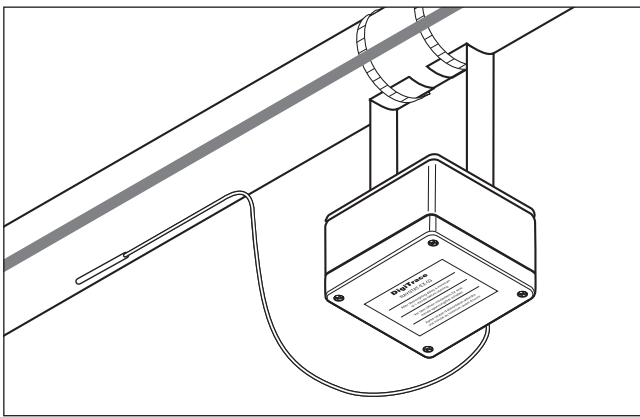



Electronic thermostats

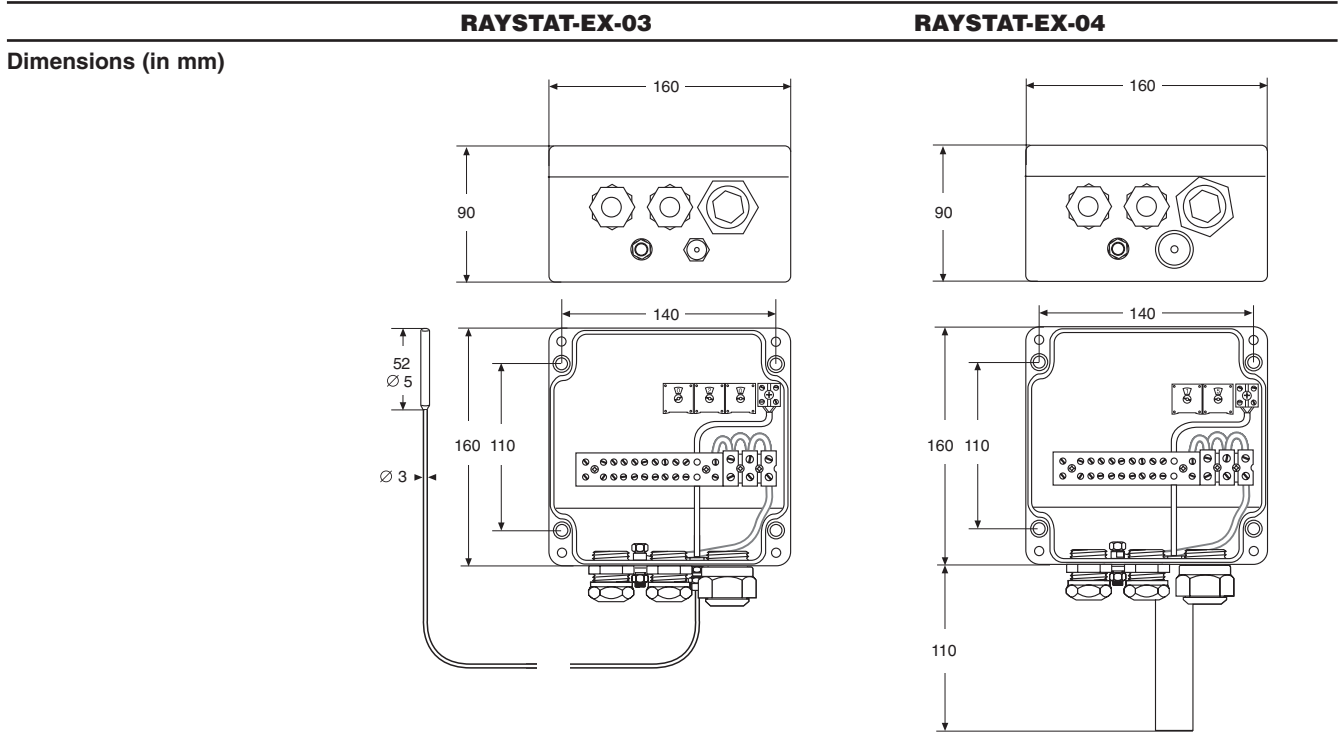
These electronic surface sensing and ambient thermostats provide accurate temperature control for heating cables. The thermostats are approved to the requirements of EN 50 014, EN 50 019, EN 50 020 and EN 50 028. The units can be supplied at nominal voltages of either 110V 50/60 Hz or 230V 50/60 Hz and have a double pole switch rated at 16 A.

The switch contacts can be arranged to be volt free. Temperature setting is accurate via digital thumb wheel switches inside the enclosure. The surface sensing version is supplied with a Pt 100 sensor and a 2 m long stainless steel sheathed extension cable giving freedom to locate the electronics remote from the sensor.

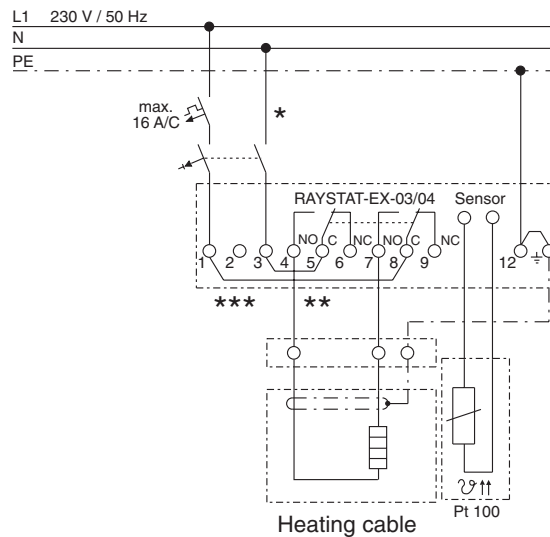
The ambient version is supplied with a local Pt 100 sensor and a wind shield. The enclosure is manufactured from high impact resistant glass filled polyester offering IP66 protection. For pipe temperatures up to 215°C, the units can be mounted on the pipe using a support bracket.



	RAYSTAT-EX-03	RAYSTAT-EX-04
Application	Surface sensing	Ambient sensing
Thermostat		
Area of use	Hazardous area: Zone 1 or Zone 2 (Gas) or Zone 21 or Zone 22 (Dust) Ordinary	
Approval certification	Baseefa03ATEX0695X  II 2 G/D T=85°C EEx emia IIC T6 (Ta -50°C to +55°C)	
Product specification		
Temperature range	0°C to 499°C	0°C to 49°C
Ingress protection	IP66	IP66
Deluge testing	Passed Shell UK requirements	Passed Shell UK requirements
Switching accuracy	±1 K at 5°C ±1% of setpoint above 100°C	±1 K at 5°C
Switching differential (Hysteresis)	≈ 1°C at 100°C ≈ 2°C at 200°C ≈ 5°C at 499°C	≈ 1°C
Output relay	Dual pole change overtype (DPDT) (optional volt free)	Dual pole change over type (DPDT) (optional volt free)
Switching capacity	16 A 110 V +/-10% 50/60 Hz 16 A 230/254 V +/-10 % 50/60 Hz resistive load	16 A 110 V +/-10% 50/60 Hz 16 A 230/254 V +/-10 % 50/60 Hz resistive load
Ambient temperature range	-50°C to +55°C	-50°C to +55°C
Supply voltage	110 V +/-10 % 50/60 Hz 230/254 V +/-10 % 50/60 Hz	110 V +/-10 % 50/60 Hz 230/254 V +/-10 % 50/60 Hz
Internal Power Consumption	110V ~ 4 VA 230/254 V ~ 3 VA	
Terminal size	max. 4 mm ²	max. 4 mm ²



Typical wiring diagram for direct switching



- * Circuit breaker configurations may vary according to local standards/requirements
- ** Link 1-8 and/or 3-5 can be removed to provide potential-free contacts
- *** Terminal 2 : 110 VAC input terminal

Cable entries	2 x M20 glands (cable \varnothing 7.5 – 13 mm) 1 x M25 with M25(M) / M20(F) adaptor and (M20) plug	2 x M20 glands (cable \varnothing 7.5 – 13 mm) 1 x M25 with M25(M) / M20(F) adaptor and (M20) plug
Sensor	2 wire Pt 100, stainless steel sensor, 2 m long	2 wire Pt 100, stainless steel sensor, complete with wind shield
Mounting method	Raychem support bracket SB-100 or SB-101 or surface mounting with 4 fixing holes on 110x140 mm centres	Raychem support bracket SB-100 or SB-101 or surface mounting with 4 fixing holes on 110x140 mm centres
Ordering details		
Part Description	RAYSTAT-EX-03	RAYSTAT-EX-04
PN (Weight)	333472-000 (3.0 kg)	462834-000 (3.1 kg)