



**O'BRIEN**

# **HEATPAK<sup>®</sup> II**

Flexible Instrument Heating Package



# HEATPAK II

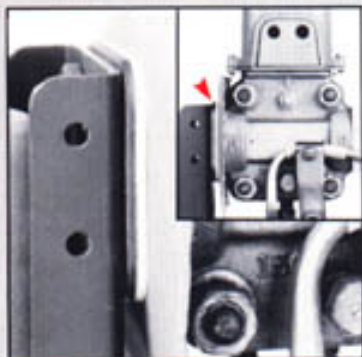
## Insulating/ Heating Package

Heatpak II, a unique insulation and heating system developed by O'Brien Corporation, provides a reliable instrumentation protection package. Designed for use within the processing industries, Heatpak II protects the vital process-wetted parts of an instrument and manifold.

### Two-Part System

Heat and insulation are the basic components of the Heatpak II system... both are absolutely essential in order to provide adequate freeze protection.

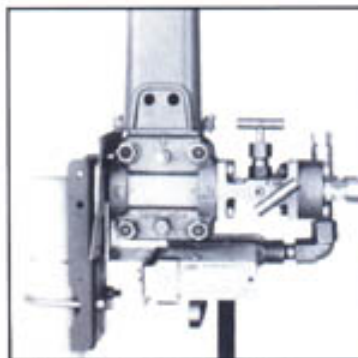
- The amount of heat required depends on the ambient conditions, the type of insulation and the method of installation of the insulation. Both steam and electric heating systems are available with Heatpak II.
- Designed to fit the instrument and manifold combination specified, Heatpak II features nonhygroscopic insulation and insulating spacers, which are unique to O'Brien Corporation.



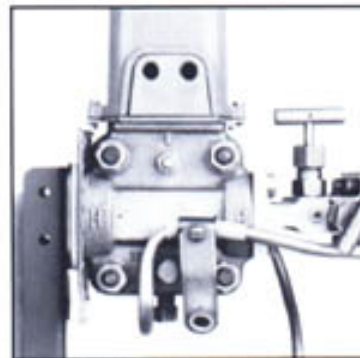
The unique spacer greatly reduces the amount of heat lost from the instrument through the mounting bracket and pipe stand.



The Heatpak II insulating cover is easy to install and remove.



Proven electric heating systems include heater, mounting hardware, thermostat and junction box.



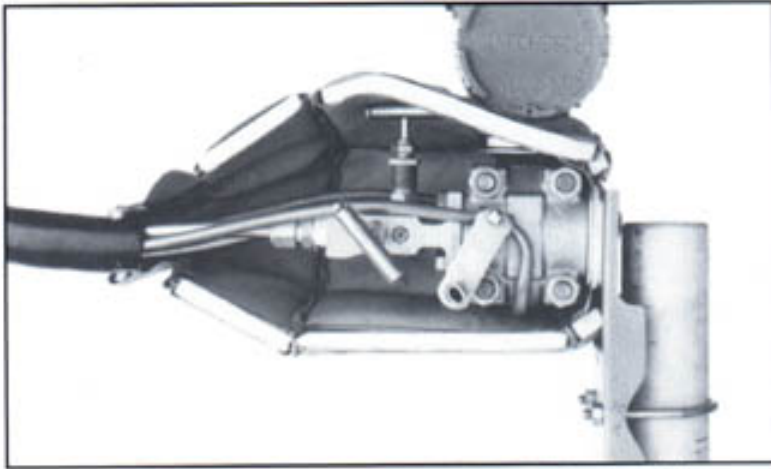
Tublok steam heating systems provide predictable and reliable performance.

### Retrofit-Designed Applications

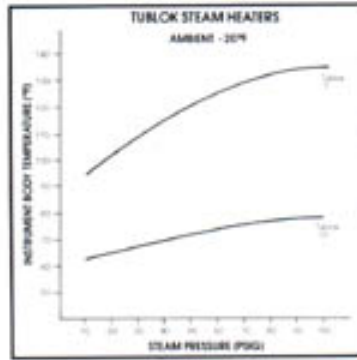
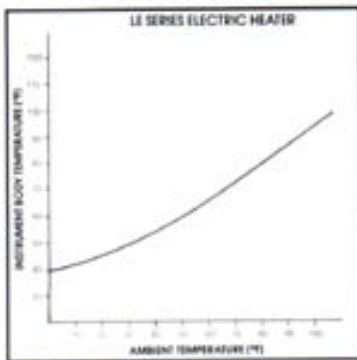
Because most instruments in the field are either differential, gauge or absolute pressure transmitters, O'Brien Corporation has developed the Heatpak II system for these specific transmitters. Installation of the package is simple, without taking the instruments out of service. The Heatpak II system uses only a minimal amount of space and comes complete with all the necessary mounting hardware. Being flexible, the insulating cover can be installed easily and quickly in tight configurations, eliminating the requirement to repipe or relocate transmitters.



Compact design and flexible construction make Heatpak II ideal for retrofit installations.



Heatpak II's innovative waterproof K4 insulation, insulating spacer and heating systems combine to provide a proven solution to instrument winterizing problems.



O'Brien steam and electric heating systems eliminate the uncertain performance of field-designed and -installed tracing.

## Proven Performance

Heatpak II guards against freezing by insulating the manifold, vents, drains and impulse line adapters of the transmitters' process-wetted elements. The system has been tested under varying conditions to ensure predictability and reliability in the field.

- Electric Heatpak II**  
 The "LE" series heating system, used in over 10 years of field service, provides freeze-proof protection in surroundings down to 0°F.
- Steam Heatpak II**  
 Tublok steam heaters protect field instruments down to minus 20°F temperatures. Although steam is the most difficult source of heat to predict, this steam heating package—consisting of two variations of the Tublok heater—solves the problem of instrument protection. The steam Heatpak II provides adequate heat without overheating the instrumentation.

## Quality Features

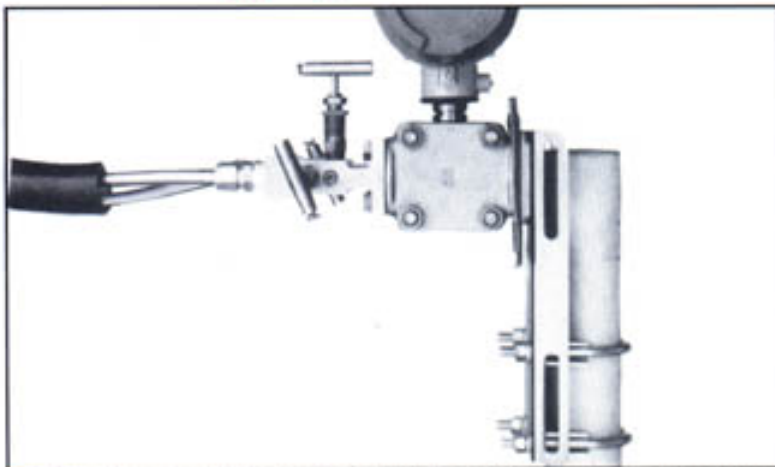
- The package is designed for retrofit systems, with simple installation. Instrument does not need to be taken out of service to install the Heatpak II.
- The lightweight insulation and heaters take up minimal space and are perfect for tight spots.
- The Heatpak II enclosure leaves the transmitter easily accessible for maintenance and calibration.
- Reusable, the Heatpak II guarantees value in both performance and cost.
- Performance has been verified to minus 20°F in our environmental chamber.

## Customized Package

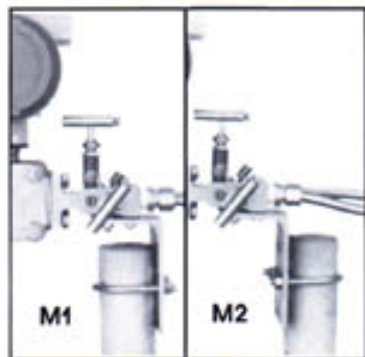
The Heatpak II combines materials, design and construction for proper fit and efficient performance.

- Insulating Cover**  
 Heatpak II's insulating cover is developed for a proper fit. Remaining flexible to allow for variations in the size, direction and location of the instrument's impulse line, the cover fits over the transmitter, manifold and heater.
- Velcro® type fasteners, the most windproof available, are used, and drawstrings are included to minimize the infiltration of cold temperatures. Material-wise, the cover's jacket and liner are constructed with O'Brien's S1 silicone coated fiberglass fabric to provide resistance from chemicals, water and oil.
- Effective Insulation**  
 O'Brien's K4 ½-inch thick insulation is asbestos-free and made of special nonhygroscopic materials resistant to moisture and chemicals. Additionally, the low chloride content of the insulation is suitable for use with stainless steel instrumentation.

## Mounting Options



The back-mounted instrument with insulating spacer provides for a more energy-efficient package.



The manifold-mounted instrument utilizes two possible pipe stand locations (M1 and M2 shown).



The process-mounted instrument is used for transmitters actually supported by the process connections.

Heatpak II, designed for compatibility with various transmitter models, is available in back-mounted, manifold-mounted and process line-mounted packages:

### • Back Mounting

The package for back-mounted transmitters includes a thin Teflon® spacer exclusive to O'Brien Corporation which, when placed between the instrument and mounting bracket, provides a necessary thermal break between the insulated instrument and the unprotected bracket and support. Simple to install, the insulating spacer makes the insulation and heating package more heat efficient.

### • Manifold Mounting

Heatpak II for manifold-mounted instruments utilizes an opening in the jacket designed to fit snugly around the support pipe.

### • Process Line Mounting

For transmitters mounted directly on the process line, no spacers or additional openings are necessary. Heatpak II's lightweight construction lends well to this type of mounting.

## How To Order

To order the Heatpak II package for unequalled insulation and heating success, the following information must be included:

- Manufacturer and model number of the instrument to utilize Heatpak II.
- Manufacturer and model number of the instrument's manifold.
- Selection of either steam or electric Heatpak II.
- For the Tublok steam heater, specify whether ordering prebent 3/8-inch copper or stainless steel tubing.
- Complete description of mounting method of the instrument, whether back, manifold or process line mounted.
- See Heatpak II, "Index/How To Order," Bulletin No. HPIIHT-14 for selection and ordering.

For instrumentation for which Heatpak II is not available, O'Brien's custom-fit Flexible Heatpak may be ordered.

### Accessory Support

Supplementary mounting equipment for the back and manifold mounted packages can be ordered through the Saddlepak product line:

- Vertical Pipe Stand—Saddlepak model FP52
- Instrument Mounting Brackets—Saddlepak models 2UMM10 and 2UMM8
- Close Coupled Instrument Support—Saddlepak model CP16-2US16-A8.

Teflon is a registered trademark of the E.I. Du Pont Co.