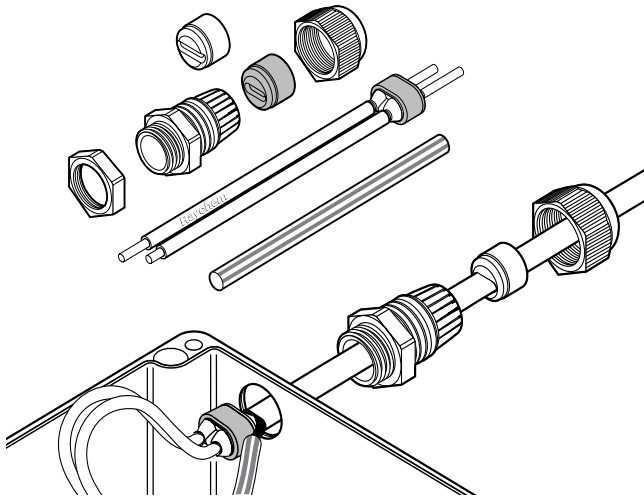


# Raychem C25-100

## COLD APPLIED CONNECTION KIT



This connection kit is designed for terminating all Raychem BTV, QTVR, XTV, KTV and VPL industrial parallel heating cables to a junction box, whilst maintaining electrical insulation of the heating cable conductors and core. It is approved for use in hazardous areas.

The core sealing boot does not require a heat gun or torch for the installation (no hot work permit necessary). The non-curing sealant (silicone free) allows easy installation and facilitates maintenance purposes.

Two grommets supplied in this kit enable the gland to maintain optimum sealing under various ambient conditions. An additional locknut is provided for unthreaded entries.



### APPLICATION

Connection kit for BTV, QTVR, XTV, KTV and VPL parallel heating cables.

### KIT CONTENTS

1 gland, 2 grommets, 1 locknut, 1 core sealer, 1 green/yellow tube, 1 installation instruction (multilingual)

### APPROVALS

PTB 09 ATEX 1063 U	 II 2G Ex e II
	 II 2D Ex tD A21 IP66
IECEx PTB 09.0040U	Ex e II
	Ex tD A21 IP66
	DNV-GL TAE00000TV
	DNV-GL TAE00000TU



TC RU C-BE.M1062.B.02853  
1Ex e IIC

### PRODUCT SPECIFICATION

Area classification	Hazardous, Zone 1, Zone 2 (Gas), Zone 21, Zone 22 (Dust) Ordinary
Type	Cold applied
Thread size	M25 x 1.5
Min. ambient temperature	-50°C
Max. exposure temperature (gland)	110°C

### ORDERING DETAILS

Part description	C25-100
PN (Weight)	263012-000 (0.07 kg)



[WWW.PENTAIRTHERMAL.COM](http://WWW.PENTAIRTHERMAL.COM)

**EUROPE, MIDDLE EAST, AFRICA**

Tel: +32.16.213.511  
Fax: +32.16.213.603  
[thermal.info@pentair.com](mailto:thermal.info@pentair.com)

**UNITED KINGDOM**

Tel: 0800 969 013  
Fax: 0800 968 6241  
[salesthermaluk@pentair.com](mailto:salesthermaluk@pentair.com)

**IRELAND**

Tel: 1800 654 241  
Fax: 1800 654 240  
[salesie@pentair.com](mailto:salesie@pentair.com)

Pentair is owned by Pentair or its global affiliates. All other trademarks are the property of their respective owners. Pentair reserves the right to change specifications without prior notice.

© 1998-2016 Pentair.