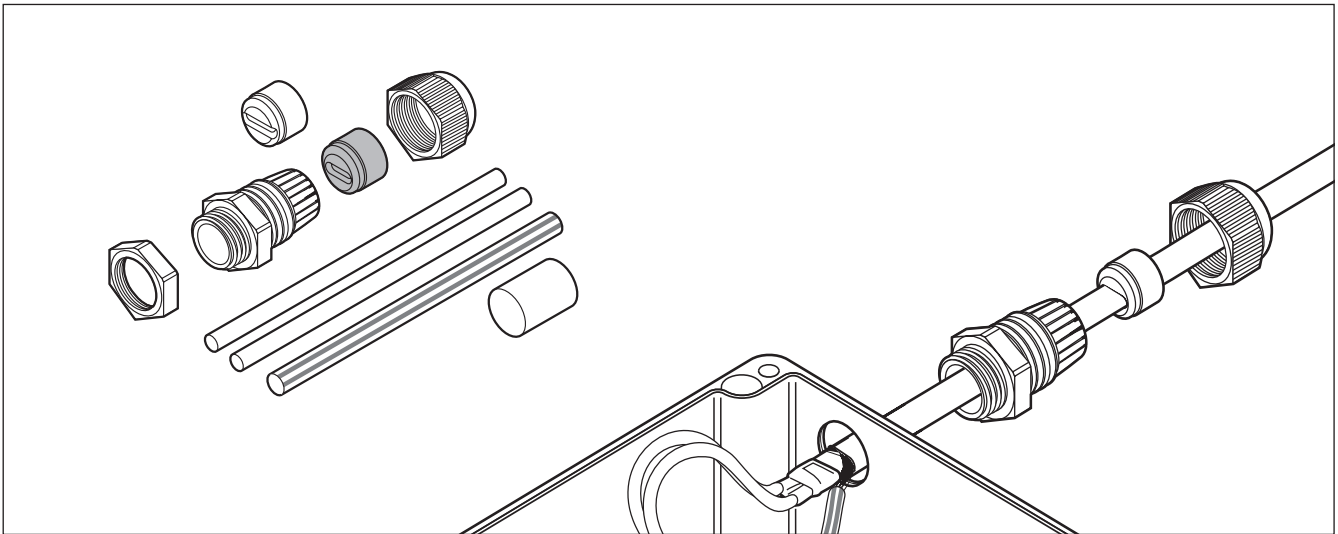



## Heat-shrink connection kit

This connection kit is designed for terminating all Raychem BTV, QTVR, XTV, KTV and VPL industrial parallel heating cables to a junction box, whilst maintaining electrical insulation of the heating cable conductors and core.

The sealing of the heating cable core is provided by Raychem heat-shrinkable sleeves. Two grommets supplied in this kits enable the gland to maintain optimum sealing under various ambient conditions.

An additional locknut is provided for unthreaded entries.



<b>Application</b>	Connection kit for BTV, QTVR, XTV, KTV and VPL parallel heating cables
<b>Kit contents</b>	1 gland, 2 grommets, 1 locknut, 1 green/yellow tube, heat-shrinkable sleeves for core sealing, 1 installation instruction (multilingual)
<b>Approvals</b>	PTB 99 ATEX3128X  II 2 G/D EEx e II IP66 by PTB according to EN 50 014, EN 50 019 (complete kit referred in heating cable system approvals) DNV Certificate No. E-6967 and E-6968

### C25-21

<b>Product specification</b>	
Area classification	Hazardous, Zone 1, Zone 2 (Gas), Zone 21, Zone 22 (Dust) Ordinary
Type	Heat-shrinkable
Thread size	M25 x 1.5
Min. ambient temperature	-55°C
Max. exposure temperature (gland)	110°C

<b>Ordering details</b>	
Part description	C25-21
PN (Weight)	311147-000 (60 g)