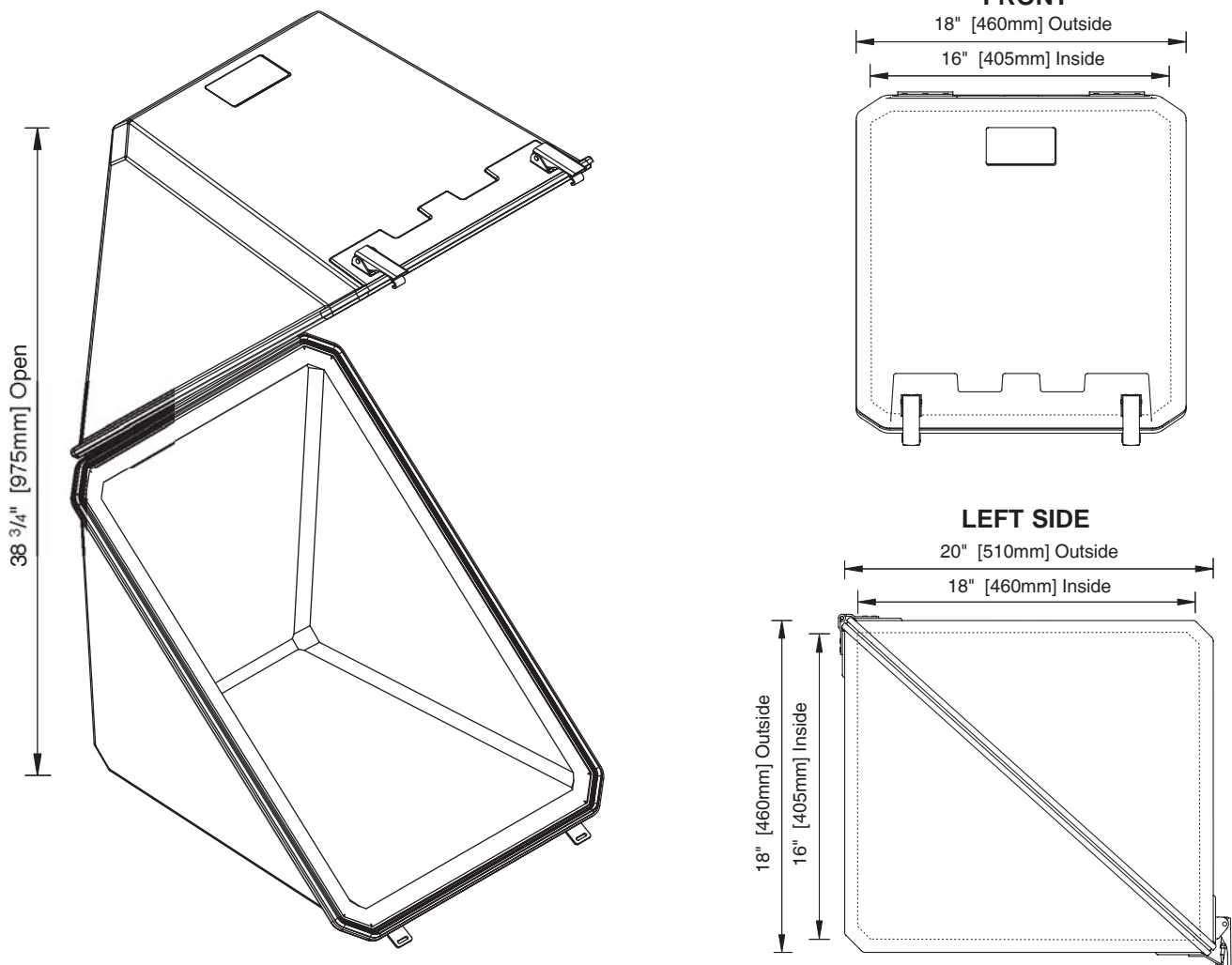




VIPAK® A701 GRP ENCLOSURE

O'Brien VIPAK 700 series are molded glass fiber reinforced polyester enclosures with foamed in place medium density polyurethane insulation. 700 series enclosures combine the durability of glass reinforced polyester with the insulating properties of polyurethane foam to winterize industrial instrumentation in cold climates.



Specifications

Materials

Enclosure: Glass Fiber Reinforced Polyester

Gasket: Neoprene

Adjustable Latches: Stainless Steel

Lift-Off Hinges: Stainless Steel

Net Weight

17.7 Kg (23.6 lb)

Shipping Weight

20.5 Kg (45.1 lb)

Protection Rating

IP66 per EN 50014

NEMA 4X*

Thermal Stability

Ambient Service/Storage Temperature

Minimum: -60°C (-75°F)

Maximum: 120°C (250°F)

Flammability

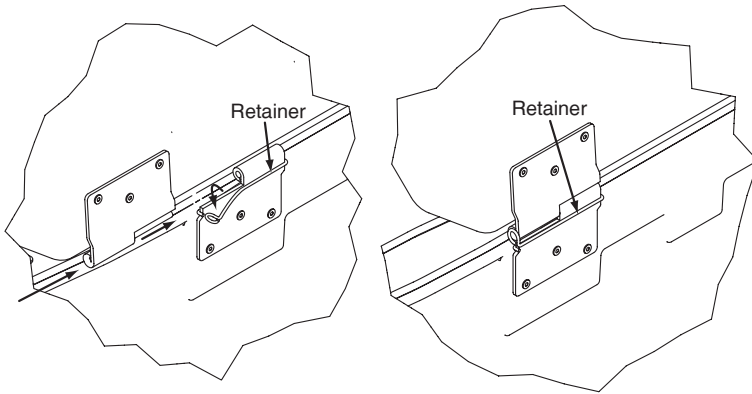
BS476 Part 7 Class 2

UL94 V0

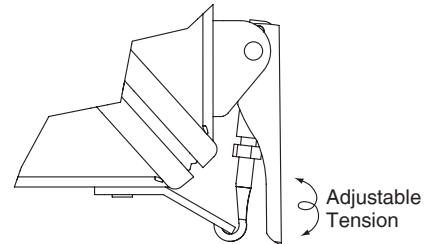
* Vipak 700 series enclosures meet the protection and corrosion resistance requirements of NEMA 4X with the exception that they do not require a tool to open the enclosure. NEMA stipulates that a tool be required to open electrical enclosures which is a safeguard against casual access to electrically energized surfaces that may be inside the enclosure.

The stainless steel hinge allows the lid to be easily removed. The retainer prevents the hinge from accidentally disengaging.

The stainless steel latches are factory set to provide IP65 protection.



HINGE DETAILS



LATCH DETAIL

Enclosure Options

- A701A** Antistatic Surface 10^9 Ohm per EN50014
T (suffix) TRAKMOUNT – zinc plated carbon steel.
S (suffix) TRAKMOUNT – stainless steel

Mounting Kits

- MK1** 2" NB enclosure mount with universal transmitter mounting bracket
MK2 2" NB enclosure mount with manifold mounting bracket
MK3 2" NB enclosure mount with offset 2" NB x 305mm tall instrument mounting pipe
MK7 2" NP enclosure mount with 355mm tall x 150mm wide vertical instrument manifold mounting plate. Mounting plate is supplied blank. As an option, manifold mounting and clearance holes can be provided from the factory.
MK11 2" NP enclosure mount with opposing internal plate and stainless steel back mounting manifold entry plate. Manifold entry plate is supplied blank. As an option, manifold mounting and clearance holes can be provided from the factory.
MK12 2" NP enclosure mount with stainless steel bottom manifold entry plate. Manifold entry plate is supplied blank. As an option, manifold mounting and clearance holes can be provided from the factory.

Mounting kits can also be supplied in stainless steel. Add suffix "S" to mounting kit designation.

Process, Instrument and Electric Entry Fittings

- ES4** 19-40mm heat shrink bundle entry fittings
ES4S 19-54mm heat shrink bundle entry fittings
ES5 35-70mm heat shrink bundle entry fittings

- 1G** Adjustable grip, 3 – 9mm diameter. IP68
2GM Adjustable grip, 9-18mm diameter. IP68

Windows

- 2W** 255mm x 280mm tempered glass
3W 175mm diameter tempered glass

Other Options

- LS** Stainless steel self locking lid support
LL Locking latch
PT 50mm x 150mm white phenolic tag with 12mm black lettering
SST 50mm x 95mm stainless steel tag with 3mm embossed lettering
BD Combination vent and drain. IP66

Specifications subject to change without notice.

Worldwide Offices:

USA: 1900 Crystal Industrial Court • St. Louis, Missouri 63114 • Ph: 314/236-2020 • Fax: 314/236-2080
BELGIUM: Mallekotstraat 65 • B 2500 Lier, Belgium • Ph (+32) 3 491 9875 • Fax (+32) 3 491 9876
CANADA: Suite 400 • 609 14th Street NW • Calgary, AB T2N 2A1 • Ph 403/730-7277 • Fax 403/730-7279
obcorp@obcorp.com • www.obcorp.com